

32 800 790



- 235mm projection
- pivotable spout 360°
- spout, end-piece with 20° rotation
- air-enriched flow
- height of mixer 337 mm
- height up to aerator 297 mm
- individual rosettes Ø 55mm
- hole diameter spout 35 mm
- single-lever mixer hole diameter 35 mm
- max. flow 8 l/min at 3 bar flow pressure
- lead-free
- This product can help a building meet the requirements of Green Building Rating Systems, e.g. LEED®, BREEAM®, DGNB
- WRAS 2107024

Operating unit can be positioned freely.

	Platinum	32 800 790-08
	Chrome	32 800 790-00
	Brushed Platinum	32 800 790-06
	Dark Chrome	32 800 790-19
	Brushed Durabronze (23kt Gold)	32 800 790-28
	Brushed Champagne (22kt Gold)	32 800 790-46
	Champagne (22kt Gold)	32 800 790-47
	Brushed Chrome	32 800 790-93
	Brushed Dark Platinum	32 800 790-99

Recommended miscellaneous

Strainer waste with control handle - Platinum 10 710 970-08

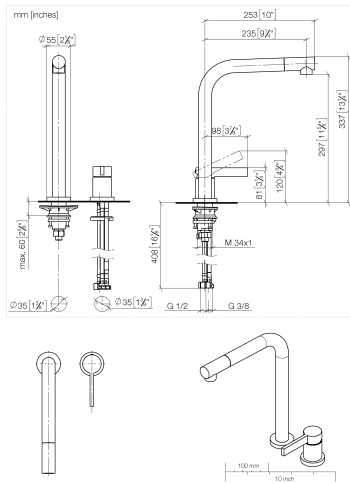


Recommended miscellaneous

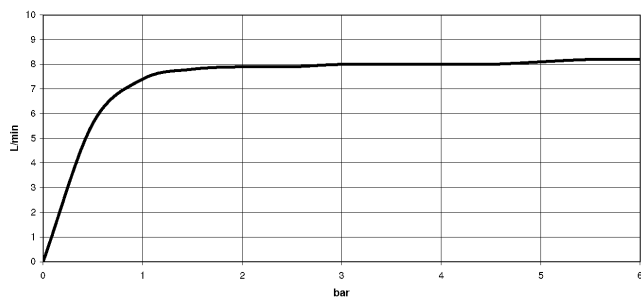
Dispenser with rosette - Platinum 82 444 970-08



32 800 790



Flow rate chart



Certificates

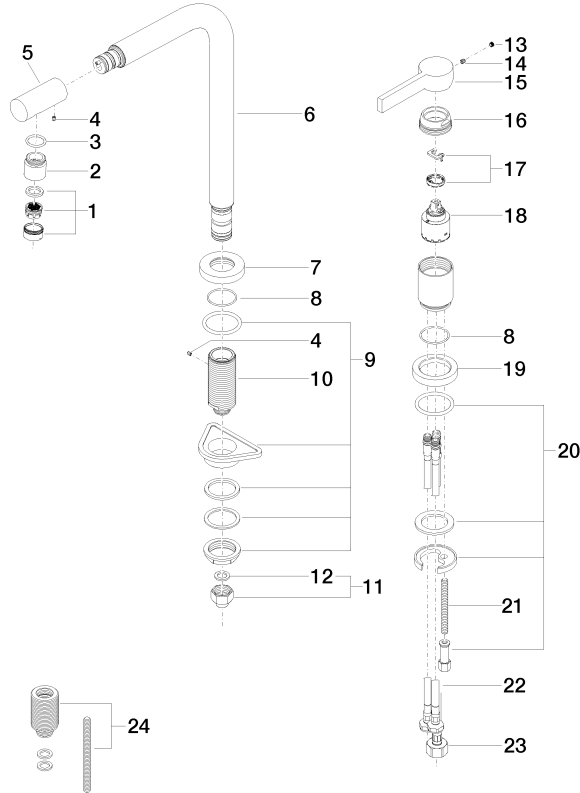
LGA_18255.

ETA_18983.

WRAS_2107024.

32 800 790

Parts for other finishes can be found here: [Chrome](#)



32 800 790

Spare parts list

No.	Item Number	Name	Quantity used	Delivery time
1	90 23 01 026 07-08	aerator	1	40
2	09 24 04 164 10-08	nipple	1	40
3	09 14 10 100 90	seal	1	2
4	09 31 11 044 90	pin	2	2
5	09 24 04 163 10-08	nipple	1	60
6	90 28 22 188 00-08	spout	1	40
7	09 27 79 001-08	rosette	1	40
8	09 14 10 102 90	seal	2	2
9	04 23 10 044 01 90	fixing set	1	2
10	09 30 01 094 10-08	adaptor	1	40
11	04 24 04 166 10 90	nipple	1	2
12	90 14 20 002 00 90	seal	1	2
13	90 31 20 109 00 90	plug	1	2
14	90 31 11 030 00 90	pin	1	2
15	09 20 79 040-08	handle	1	40
16	09 24 04 141-08	nut	1	40
17	90 28 10 148 00 90	accessories	1	2
18	90 15 05 061 00 90	cartridge	1	60
19	09 28 10 111-08	rosette	1	40
20	04 30 11 038 00 90	fixing set	1	2
21	09 31 11 011 90	pin	1	2
22	04 30 04 104 00 90	hose	2	2
23	04 30 04 019 00 90	hose	1	2
24	12 802 970 90	Extension set -	1	60