

32 800 790



- 235mm projection
- pivotable spout 360°
- spout, end-piece with 20° rotation
- air-enriched flow
- height of mixer 337 mm
- height up to aerator 297 mm
- individual rosettes Ø 55mm
- hole diameter spout 35 mm
- single-lever mixer hole diameter 35 mm
- max. flow 8 l/min at 3 bar flow pressure
- lead-free
- This product can help a building meet the requirements of Green Building Rating Systems, e.g. LEED®, BREEAM®, DGNB
- WRAS 2107024

Operating unit can be positioned freely.

	Brushed Dark Platinum	32 800 790-99
	Chrome	32 800 790-00
	Brushed Platinum	32 800 790-06
	Platinum	32 800 790-08
	Dark Chrome	32 800 790-19
	Brushed Durabronze (23kt Gold)	32 800 790-28
	Brushed Champagne (22kt Gold)	32 800 790-46
	Champagne (22kt Gold)	32 800 790-47
	Brushed Chrome	32 800 790-93

Recommended miscellaneous

Strainer waste with control handle - Brushed Dark Platinum 10 710 970-99

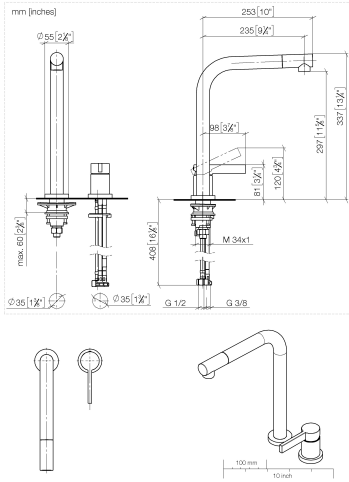


Recommended miscellaneous

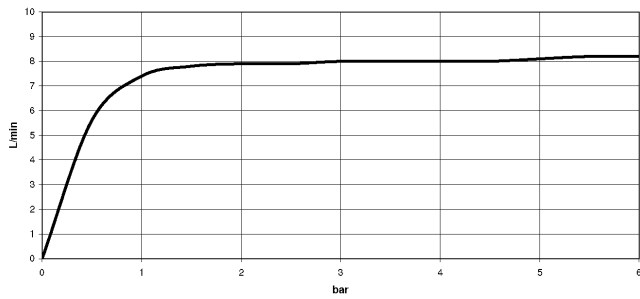
Dispenser with rosette - Brushed Dark Platinum 82 444 970-99



32 800 790



Flow rate chart



Codes & Standards

DIN 4109

EN 817

ISO 3822

Scottish Water
Byelaws

UK Water Supply
Regulations

Ü-Zeichen

VA-Zeichen



ELIO Two-hole mixer with individual rosettes - Brushed Dark Platinum

ELIO

32 800 790

Certificates

WRAS_2107

LGA_18

ETA_18

32 800 790

Product version from 5/31/2010 to 5/15/2020

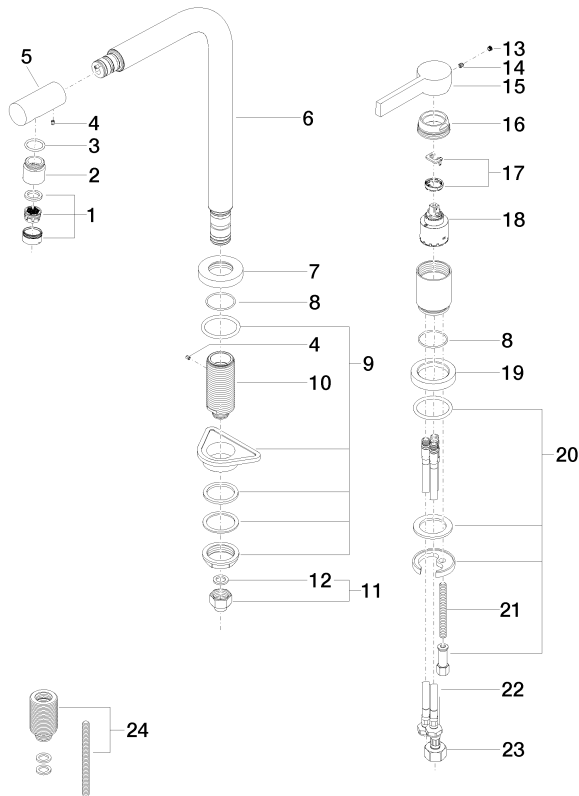
Product version from 5/15/2020 to 3/10/2021

Product version from 3/10/2021 to 5/4/2021

Product version from 5/4/2021

Product version from 6/1/2022

Parts for other finishes can be found here: [Chrome](#)





ELIO Two-hole mixer with individual rosettes - Brushed Dark Platinum

ELIO

32 800 790

Spare parts list

Product version from 5/31/2010 to 5/15/2020

Product version from 5/15/2020 to 3/10/2021

Product version from 3/10/2021 to 5/4/2021

Product version from 5/4/2021

Product version from 6/1/2022

No.	Item Number	Name	Quantity used	Delivery time
	90 23 01 026 07-99	aerator	27	30