

**LOT BAR TAP Two-hole mixer with individual rosettes - Chrome**

LOT

32 805 680



- 165mm projection
  - pivotable spout 360°
  - air-enriched flow
  - height of mixer 230 mm
  - height up to laminar flow regulator 205 mm
  - individual rosette 55 x 55 mm
  - hole diameter spout 35 mm
  - single-lever mixer hole diameter 44 mm
  - max. flow 8 l/min at 3 bar flow pressure
  - lead-free
  - WRAS 1909073
  - This product can help a building meet the requirements of Green Building Rating Systems, e.g. LEED®, BREEAM®, DGNB
- Operating unit can be positioned freely.

|   |                                |               |
|---|--------------------------------|---------------|
|  | Chrome                         | 32 805 680-00 |
|  | Brushed Platinum               | 32 805 680-06 |
|  | Platinum                       | 32 805 680-08 |
|  | Dark Chrome                    | 32 805 680-19 |
|  | Brushed Durabronze (23kt Gold) | 32 805 680-28 |
|  | Brushed Champagne (22kt Gold)  | 32 805 680-46 |
|  | Champagne (22kt Gold)          | 32 805 680-47 |
|  | Brushed Dark Platinum          | 32 805 680-99 |

**Recommended miscellaneous**

**Strainer waste with control handle - Chrome** 10 711 970-00

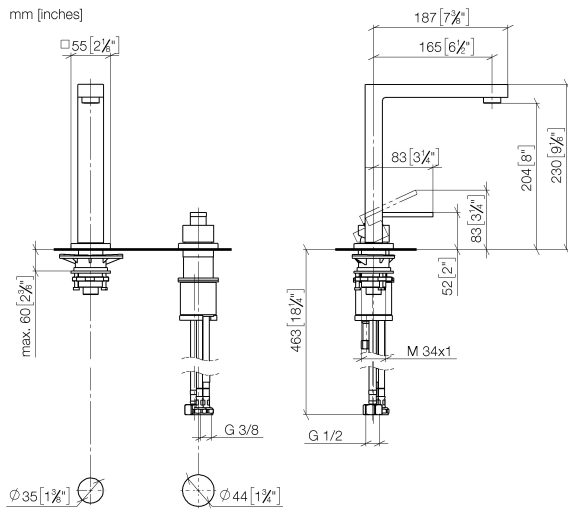


**Recommended miscellaneous**

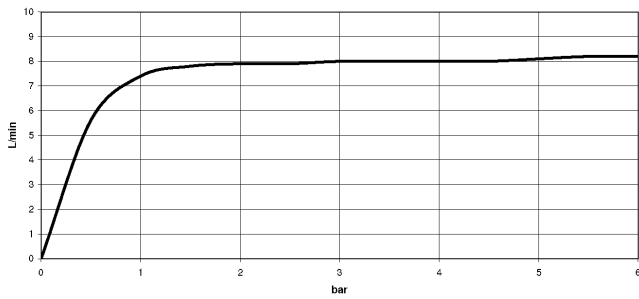
**Dispenser with rosette - Chrome** 82 439 970-00



32 805 680



Flow rate chart



Certificates

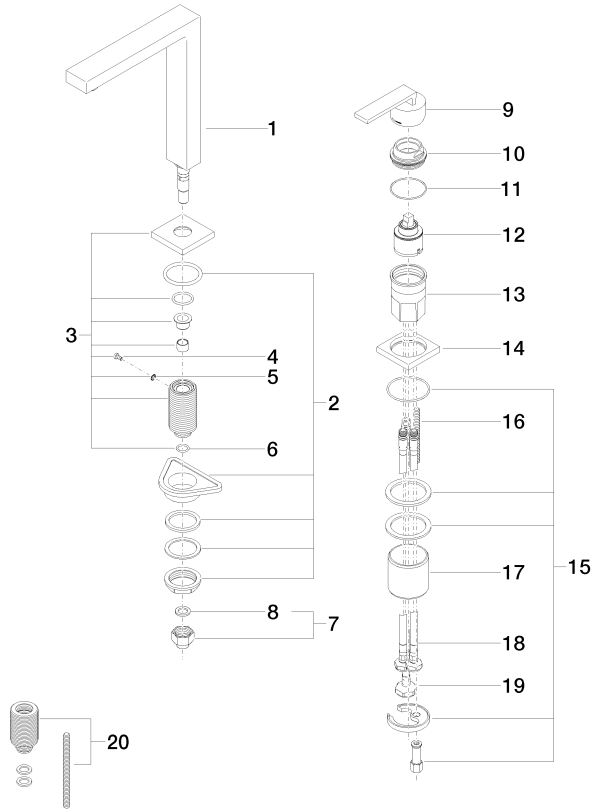
GDV\_0400283.

WRAS\_1909073.

LGA\_18887.

ETA\_18986.

32 805 680



**Spare parts list**

| No. | Item Number        | Name            | Quantity used | Delivery time |
|-----|--------------------|-----------------|---------------|---------------|
| 1   | 90 11 06 192 04-00 | spout           | 1             | 10            |
| 2   | 04 23 10 044 01 90 | fixing set      | 1             | 2             |
| 3   | 90 27 78 023 00-00 | rosette         | 1             | 10            |
| 4   | 09 30 30 057 90    | screw           | 1             | 2             |
| 5   | 09 30 11 028 90    | disc            | 1             | 2             |
| 6   | 90 14 10 077 00 90 | seal            | 1             | 2             |
| 7   | 04 24 04 166 10 90 | nipple          | 1             | 2             |
| 8   | 90 14 20 002 00 90 | seal            | 1             | 2             |
| 9   | 90 20 78 040 00-00 | handle          | 1             | 10            |
| 10  | 09 24 04 142-00    | nut             | 1             | 10            |
| 11  | 09 14 10 037 90    | seal            | 1             | 2             |
| 12  | 90 15 05 045 00 90 | cartridge       | 1             | 2             |
| 13  | 09 30 01 100 10 90 | sleeve          | 1             | 2             |
| 14  | 09 27 78 007-00    | rosette         | 1             | 10            |
| 15  | 04 30 11 038 02 90 | fixing set      | 1             | 2             |
| 16  | 09 31 11 011 90    | pin             | 1             | 2             |
| 17  | 09 18 40 079 90    | sleeve          | 1             | 2             |
| 18  | 04 30 04 104 00 90 | hose            | 2             | 2             |
| 19  | 04 30 04 019 00 90 | hose            | 1             | 2             |
| 20  | 12 802 970 90      | Extension set - | 1             | 60            |