

32 815 888



- 236mm projection
- pivotable spout 360°
- air-enriched flow
- max. flow 8.3 l/min at 3 bar flow pressure
- lead-free
- This product can help a building meet the requirements of Green Building Rating Systems, e.g. LEED®, BREEAM®, DGNB
- WRAS 240102014

Operating unit can be positioned freely.

	Chrome	32 815 888-00
	Brushed Platinum	32 815 888-06
	Platinum	32 815 888-08
	Durabronze (23kt Gold)	32 815 888-09
	Dark Chrome	32 815 888-19
	Brushed Durabronze (23kt Gold)	32 815 888-28
	Matte Black	32 815 888-33
	Brushed Champagne (22kt Gold)	32 815 888-46
	Champagne (22kt Gold)	32 815 888-47
	Brushed Chrome	32 815 888-93
	Brushed Dark Platinum	32 815 888-99

**Recommended miscellaneous**

**Swivel limitation set -** 12 820 970 90



**Recommended miscellaneous**

**Strainer waste with control handle - Chrome** 10 710 970-00

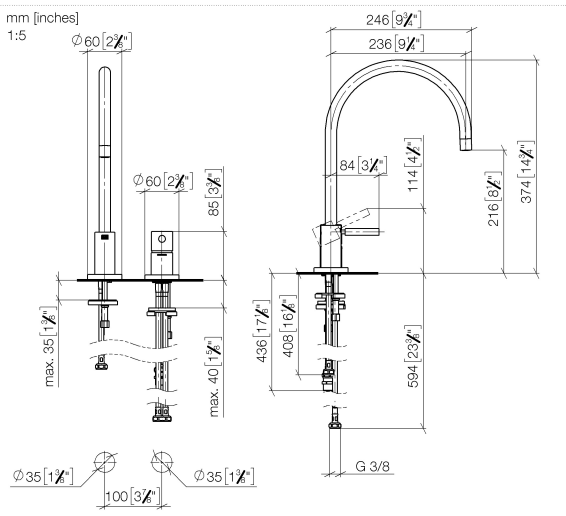


**Recommended miscellaneous**

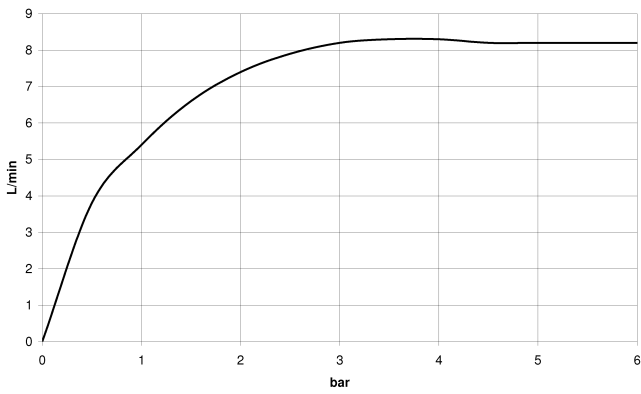
**Dispenser with rosette - Chrome** 82 444 970-00



32 815 888



Flow rate chart



Codes & Standards

DIN 4109

ISO 3822

Scottish Water  
Byelaws

UK Water Supply  
Regulations

Ü-Zeichen



TARA Two-hole mixer with individual rosettes - Chrome

---

TARA

32 815 888

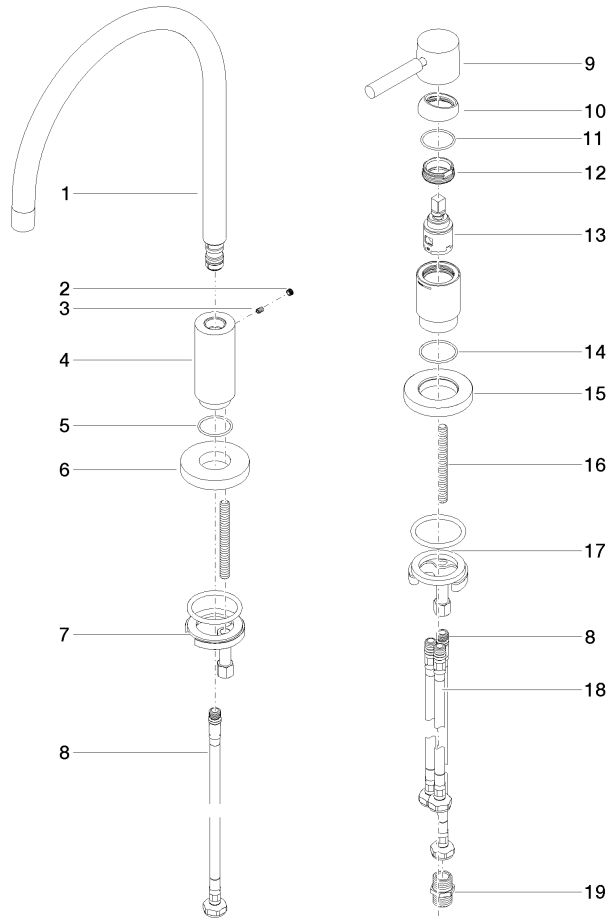
Certificates

---

LGA\_38

WRAS\_240102

32 815 888





## TARA Two-hole mixer with individual rosettes - Chrome

TARA

32 815 888

### Spare parts list

No.	Item Number	Name	Quantity used	Delivery time
	90 28 22 226 00-00	spout	21	60