

32 815 888



- 236mm projection
- pivotable spout 360°
- air-enriched flow
- max. flow 8.3 l/min at 3 bar flow pressure
- lead-free
- This product can help a building meet the requirements of Green Building Rating Systems, e.g. LEED®, BREEAM®, DGNB
- WRAS 240102014

Operating unit can be positioned freely.

	Matte Black	32 815 888-33
	Chrome	32 815 888-00
	Brushed Platinum	32 815 888-06
	Platinum	32 815 888-08
	Durabronze (23kt Gold)	32 815 888-09
	Dark Chrome	32 815 888-19
	Brushed Durabronze (23kt Gold)	32 815 888-28
	Brushed Champagne (22kt Gold)	32 815 888-46
	Champagne (22kt Gold)	32 815 888-47
	Brushed Chrome	32 815 888-93
	Brushed Dark Platinum	32 815 888-99

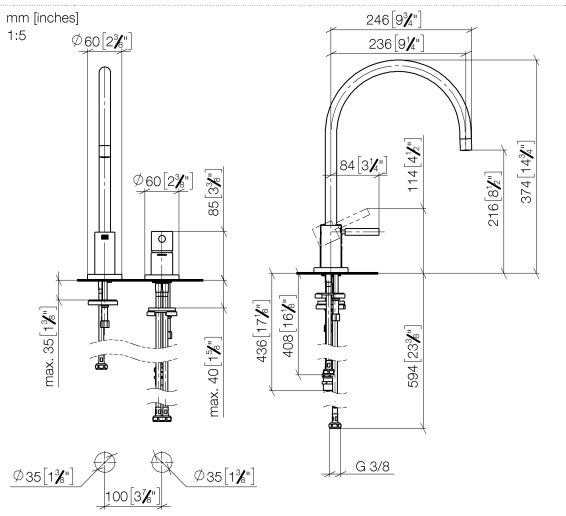
**Recommended miscellaneous**

**Swivel limitation set -**

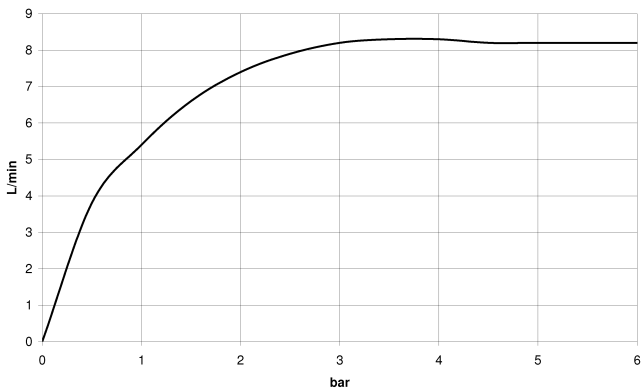
12 820 970 90



32 815 888



Flow rate chart



Codes & Standards

DIN 4109

ISO 3822

Scottish Water  
Byelaws

UK Water Supply  
Regulations

Ü-Zeichen



TARA Two-hole mixer with individual rosettes - Matte Black

---

TARA

32 815 888

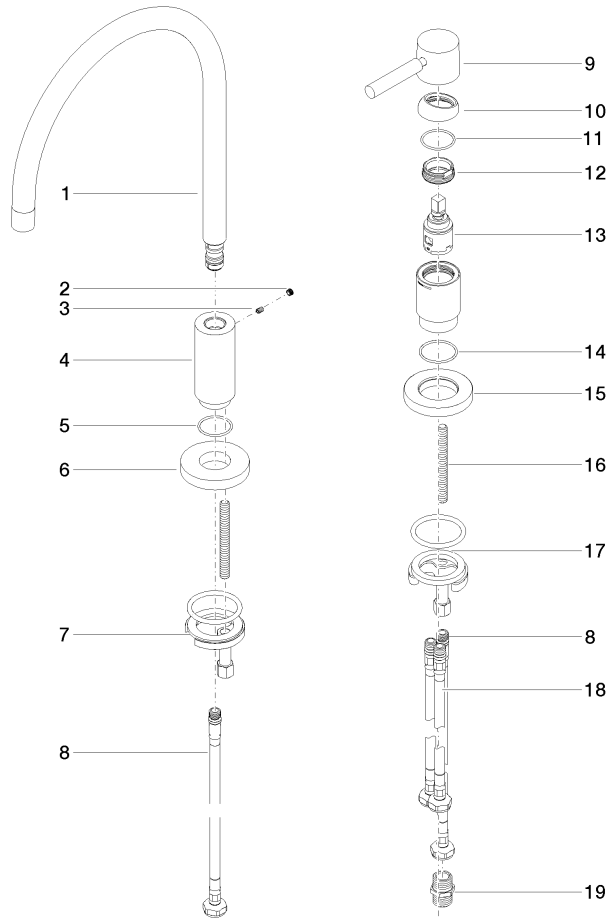
Certificates

---

LGA\_38

WRAS\_240102

32 815 888





# TARA Two-hole mixer with individual rosettes - Matte Black

TARA

32 815 888

## Spare parts list

No.	Item Number	Name	Quantity used	Delivery time
	90 28 22 226 00-33	spout	21	-

Spare part can no longer be ordered, please order the replacement item