

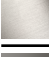


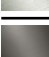



33 500 845

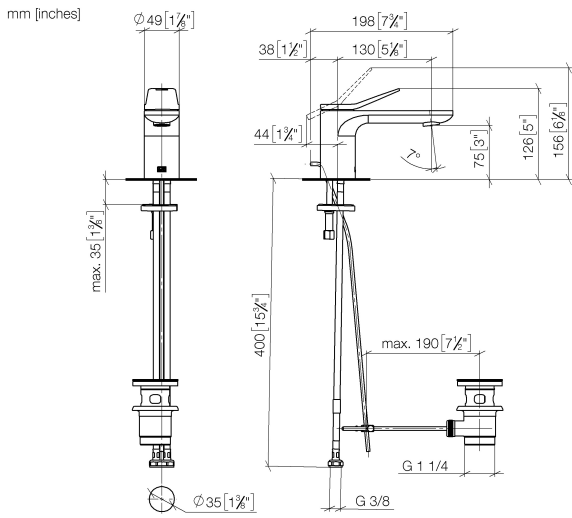


- 130mm projection
- 1 1/4" pop-up waste
- fixed spout
- circular, air-enriched flow
- height of mixer 127 mm
- height up to aerator 75 mm
- hole diameter 35 mm
- 2x screw-in M 8 x 1 pressure hose, leak-tested
- max. flow 5.7 l/min
- lead-free
- This product can help a building meet the requirements of Green Building Rating Systems, e.g. LEED®, BREEAM®, DGNB
- WRAS 1906074

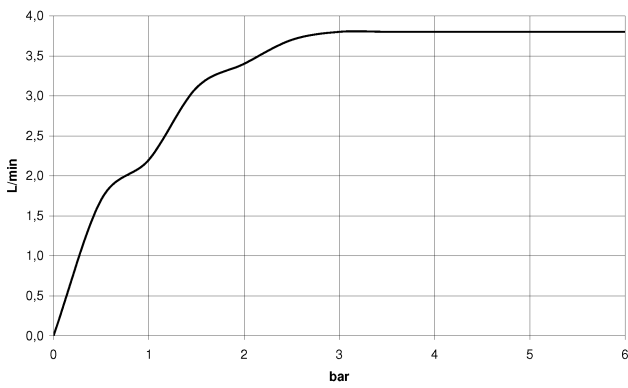
Only suitable for basins with an overflow.

|  |                       |               |
|--|-----------------------|---------------|
|  | Brushed Light Gold    | 33 500 845-27 |
|  | Chrome                | 33 500 845-00 |
|  | Brushed Platinum      | 33 500 845-06 |
|  | Dark Chrome           | 33 500 845-19 |
|  | Matte Black           | 33 500 845-33 |
|  | Brushed Chrome        | 33 500 845-93 |
|  | Brushed Dark Platinum | 33 500 845-99 |

33 500 845



**Flow rate chart**



**Codes & Standards**

DIN 4109

Executive Order  
no. 1007

ISO 3822

Ü-Zeichen



LISSÉ Single-lever basin mixer with pop-up waste - Brushed Light Gold

---

LISSÉ

33 500 845

Certificates

---

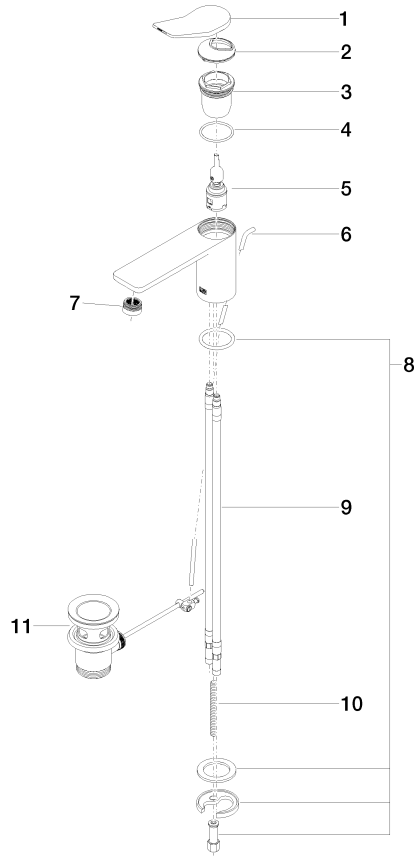
GDV\_0400

LGA\_29

33 500 845

**Product version from 5/3/2021**

Parts for other finishes can be found here: Chrome





33 500 845

## **Spare parts list**

**Product version from 5/3/2021**