

LISSÉ Single-lever basin mixer with raised base with pop-up waste - Matte Black

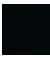


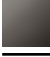

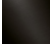
LISSÉ

33 506 845

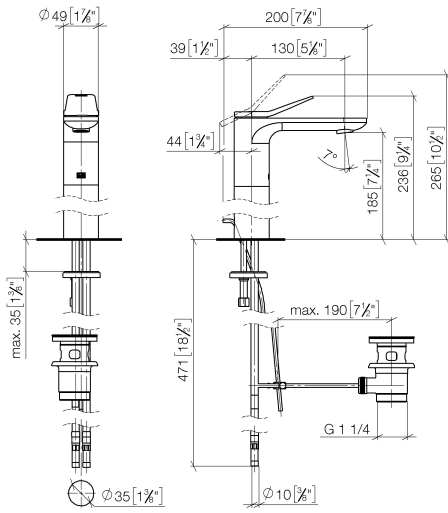


- 130mm projection
- fixed spout
- circular, air-enriched flow
- height of mixer 236 mm
- height up to aerator 185 mm
- hole diameter 35 mm
- 2x screw-in M 8 x 1 pressure hose, leak-tested
- max. flow 5.7 l/min
- lead-free
- This product can help a building meet the requirements of Green Building Rating Systems, e.g. LEED®, BREEAM®, DGNB

Only suitable for basins with an overflow.

	Matte Black	33 506 845-33
	Chrome	33 506 845-00
	Brushed Platinum	33 506 845-06
	Dark Chrome	33 506 845-19
	Brushed Chrome	33 506 845-93
	Brushed Dark Platinum	33 506 845-99

33 506 845
mm [inches]



Flow rate chart

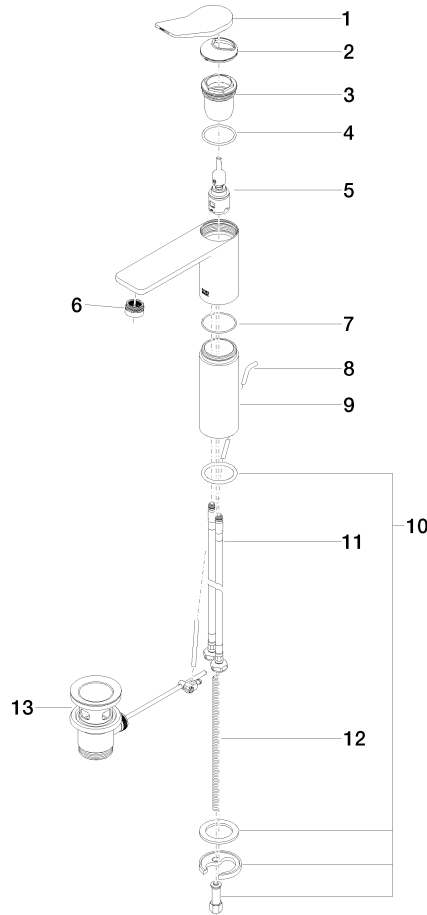


Certificates

LGA_29008.

GDV_0400310.

33 506 845
Parts for other
finishes can be found
here: [Chrome](#)



Spare parts list

No.	Item Number	Name	Quantity used	Delivery time
1	90 20 84 020 00-33	handle	1	30
2	09 28 30 034 90	cover	1	2
3	09 23 10 123 90	nut	1	2
4	09 14 10 038 90	seal	1	2
5	90 15 05 042 01 90	cartridge	1	2
6	90 23 01 161 01-33	aerator	1	30
7	09 14 10 108 90	seal	1	2
8	09 31 09 120-33	pull-rod	1	30
9	09 28 22 305-33	sleeve	1	30
10	04 30 11 038 75 90	fixing set	1	2
11	04 30 04 101 00 90	hose	2	2
12	09 31 11 000 90	pin	1	2
13	90 11 01 001 00-33	pop-up waste	1	30