
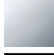






33 507 670



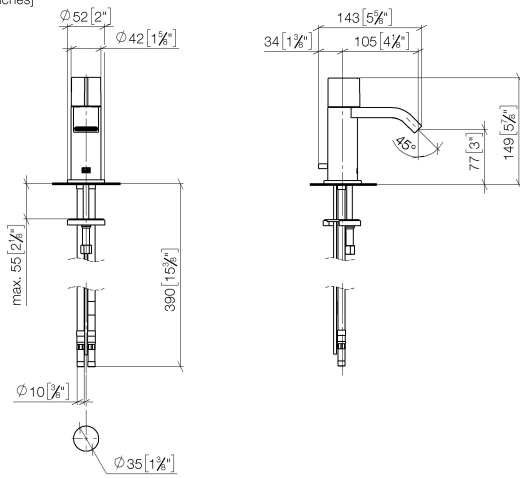
- 105mm projection
- fixed spout
- rectangular, air-enriched flow
- height of mixer 149 mm
- height up to aerator 80 mm
- hole diameter 35 mm
- rosette Ø 52 mm optional
- progressive cartridge
- 2x screw-in M 10 x 1 pressure hose, leak-tested
- max. flow 7 l/min
- lead-free
- This product can help a building meet the requirements of Green Building Rating Systems, e.g. LEED®, BREEAM®, DGNB

Only suitable for basins with an overflow.

| | | |
|---|-----------------------------------|---------------|
|  | Brushed Dark Platinum | 33 507 670-99 |
|  | Chrome | 33 507 670-00 |
|  | Brushed Platinum | 33 507 670-06 |
|  | Platinum | 33 507 670-08 |
|  | Brushed Durabronze (23kt Gold) | 33 507 670-28 |
|  | Brushed Chrome | 33 507 670-93 |

33 507 670

mm [inches]



Flow rate chart



Certificates

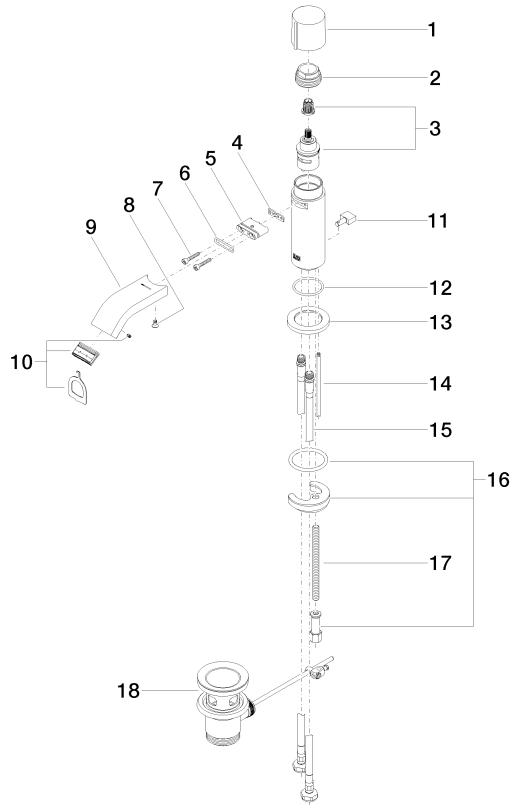
LGA_19486.

ETA_19965.

GDV_0400311.

33 507 670

Parts for other finishes can be found here: [Chrome](#)



Spare parts list

| No. | Item Number | Name | Quantity used | Delivery time |
|-----|--------------------|--------------|---------------|---------------|
| 1 | 09 20 67 001-99 | handle | 1 | 30 |
| 2 | 09 23 10 065-99 | nut | 1 | 30 |
| 3 | 90 90 03 162 00 90 | top | 1 | 2 |
| 4 | 09 14 03 131 90 | seal | 1 | 2 |
| 5 | 09 11 03 061 90 | connection | 1 | 2 |
| 6 | 09 14 10 053 90 | seal | 1 | 2 |
| 7 | 09 30 30 182 90 | screw | 2 | 2 |
| 8 | 09 30 30 116 90 | screw | 1 | 2 |
| 9 | 09 28 22 238-99 | spout | 1 | 30 |
| 10 | 90 29 03 045 00 90 | aerator | 1 | 2 |
| 11 | 09 20 67 002-99 | handle | 1 | 30 |
| 12 | 09 14 10 104 90 | seal | 1 | 2 |
| 13 | 09 27 67 003-99 | rosette | 1 | 30 |
| 14 | 09 31 09 080-99 | pull-rod | 1 | 30 |
| 15 | 04 30 04 104 00 90 | hose | 2 | 2 |
| 16 | 04 30 11 038 00 90 | fixing set | 1 | 2 |
| 17 | 09 31 11 012 90 | pin | 1 | 2 |
| 18 | 90 11 01 001 00-99 | pop-up waste | 1 | 30 |