




EDITION PRO GRANDE Single-lever basin mixer without pop-up waste -  
Chrome

---

33 522 626



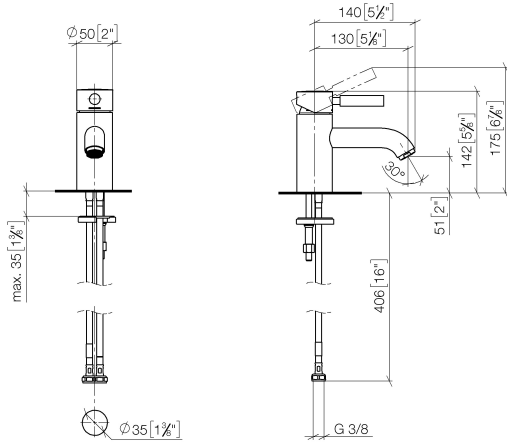
- 130mm projection
- fixed spout
- circular, air-enriched flow
- height of mixer 142 mm
- height up to aerator 51 mm
- hole diameter 35 mm
- 2x screw-in M 10 x 1 pressure hose, leak-tested
- max. flow 7 l/min
- lead-free
- WRAS

	Chrome	33 522 626-00
	Matte Black	33 522 626-33
	Brushed Chrome	33 522 626-93

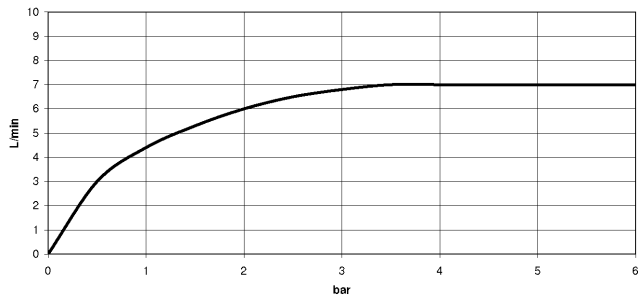


## EDITION PRO GRANDE Single-lever basin mixer without pop-up waste - Chrome

33 522 626  
mm [inches]



### Flow rate chart



### Codes & Standards

DIN 4109

ISO 3822

Scottish Water  
Byelaws

UK Water Supply  
Regulations

### Ü-Zeichen



EDITION PRO GRANDE Single-lever basin mixer without pop-up waste -  
Chrome

---

33 522 626

Certificates

---

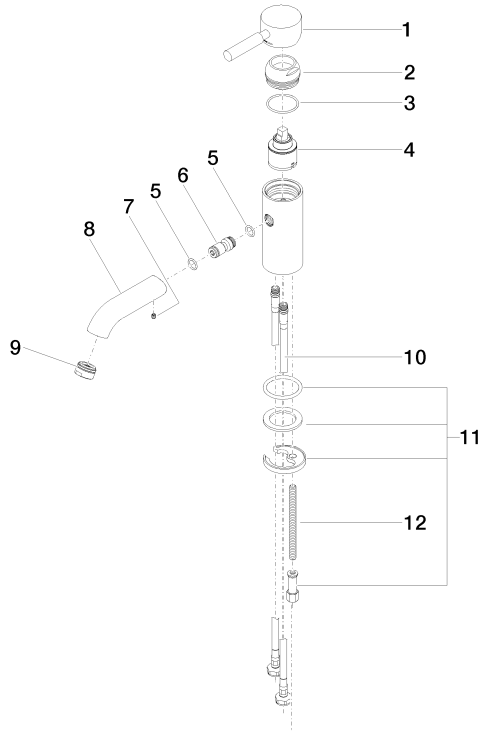
WRAS\_1805

LGA\_9

WRAS\_240602

**EDITION PRO GRANDE Single-lever basin mixer without pop-up waste -  
Chrome**

33 522 626



**Spare parts list**

No.	Item Number	Name	Quantity used	Delivery time
1	90 20 62 047 00-00	handle	1	10
2	09 28 30 016-00	cover	1	10
3	09 14 10 134 90	seal	1	2
4	90 15 05 045 00 90	cartridge	1	2
5	09 14 10 003 90	seal	1	2
6	09 24 04 025 10 90	nipple	1	2
7	90 31 11 030 00 90	pin	1	2
8	09 11 06 063 10-00	spout	1	10
9	90 23 01 118 01-00	aerator	1	10
10	04 30 04 104 00 90	hose	2	2
11	04 30 11 038 00 90	fixing set	1	2
12	09 31 11 012 90	pin	1	2