




33 527 670

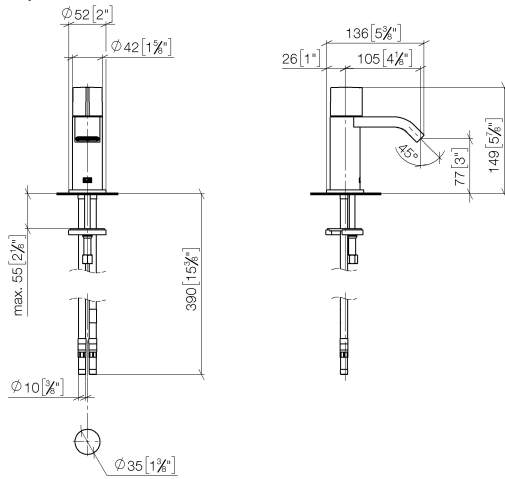


- 105mm projection
- fixed spout
- rectangular, air-enriched flow
- height of mixer 149 mm
- height up to aerator 80 mm
- hole diameter 35 mm
- progressive cartridge
- 2x screw-in M 10 x 1 pressure hose, leak-tested
- max. flow 7 l/min
- lead-free
- This product can help a building meet the requirements of Green Building Rating Systems, e.g. LEED®, BREEAM®, DGNB

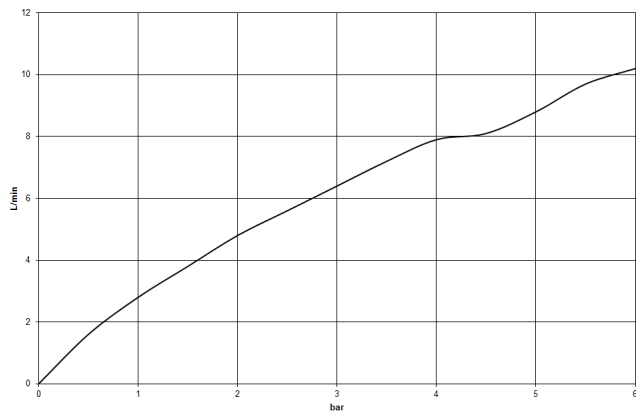
	Brushed Platinum	33 527 670-06
	Chrome	33 527 670-00
	Brushed Chrome	33 527 670-93

33 527 670

mm [inches]



Flow rate chart



Certificates

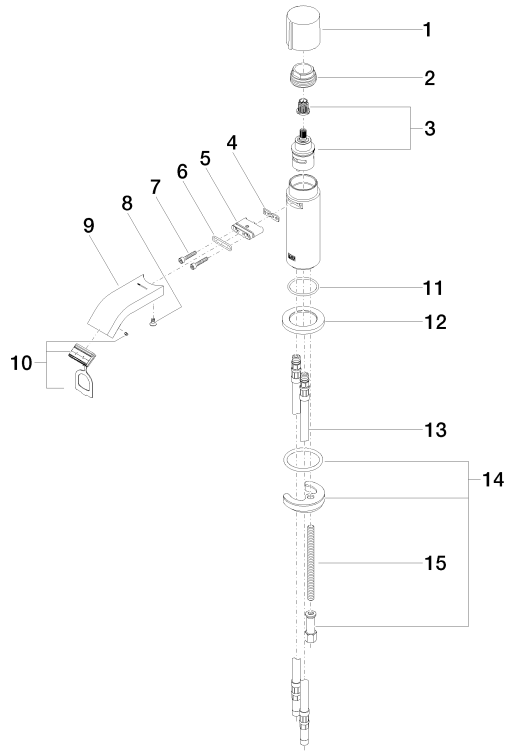
LGA_19486.

ETA_19965.

GDV_0400311.

33 527 670

Parts for other finishes can be found here: [Chrome](#)



Spare parts list

No.	Item Number	Name	Quantity used	Delivery time
1	09 20 67 001-06	handle	1	10
2	09 23 10 065-06	nut	1	10
3	90 90 03 162 00 90	top	1	2
4	09 14 03 131 90	seal	1	2
5	09 11 03 061 90	connection	1	2
6	09 14 10 053 90	seal	1	2
7	09 30 30 182 90	screw	2	2
8	09 30 30 116 90	screw	1	2
9	09 28 22 238-06	spout	1	10
10	90 29 03 045 00 90	aerator	1	2
11	09 14 10 104 90	seal	1	2
12	09 27 67 003-06	rosette	1	10
13	04 30 04 016 00 90	hose	2	60
14	04 30 11 038 00 90	fixing set	1	2
15	09 31 11 012 90	pin	1	2