





## DORNBACHT YAMOU Single-lever basin mixer with raised base without pop-up waste - Soft Black

---

33 537 831



- 180mm projection
- fixed spout
- circular, air-enriched flow
- height of mixer 288 mm
- height up to aerator 239 mm
- hole diameter 35 mm
- 2x screw-in M 8 x 1 pressure hose, leak-tested
- max. flow 6.8 l/min
- WRAS 240104004

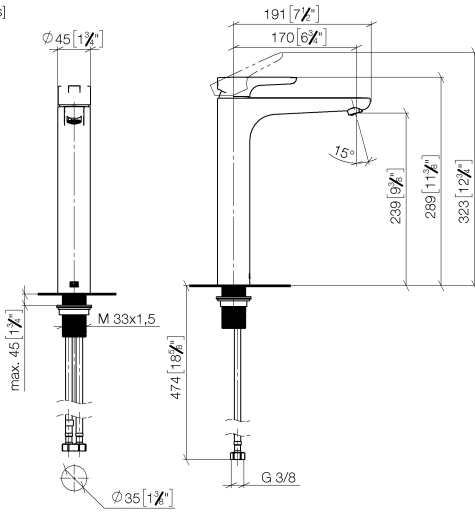
	Soft Black	33 537 831-69
	Chrome	33 537 831-00

---

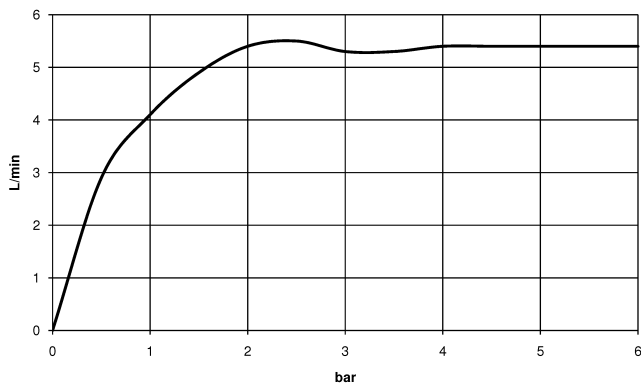


## DORNBRACHT YAMOU Single-lever basin mixer with raised base without pop-up waste - Soft Black

33 537 831  
mm [inches]



### Flow rate chart



### Codes & Standards

DIN 4109

ISO 3822

Scottish Water  
Byelaws

UK Water Supply  
Regulations

Ü-Zeichen

XP P 41-280



## DORNBACHT YAMOU Single-lever basin mixer with raised base without pop-up waste - Soft Black

---

33 537 831

Certificates

---

WRAS\_240104

ACS\_23 ACC NY

AbP\_10

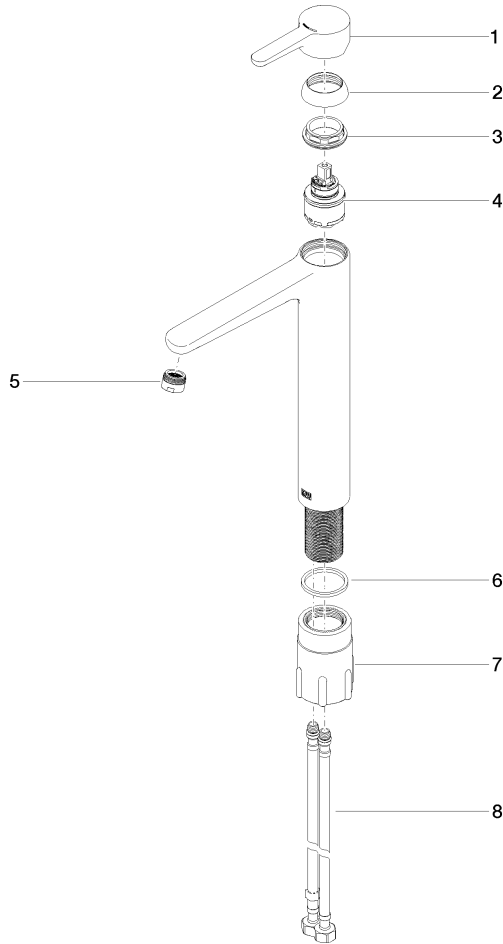


# DORNBRACHT YAMOU Single-lever basin mixer with raised base without pop-up waste - Soft Black

33 537 831

**Product version from 1/1/2023**

Parts for other finishes can be found here: [Chrome](#)





DORNBACHT YAMOU Single-lever basin mixer with raised base without pop-up waste - Soft Black

---

33 537 831

**Spare parts list**

**Product version from 1/1/2023**

No.	Item Number	Name	Quantity used	Delivery time
	90 20 83 002 00-69	handle	8	2