

## META Single-lever bidet mixer with pop-up waste - Brushed Platinum

33 600 660 Product version from 1/24/2020

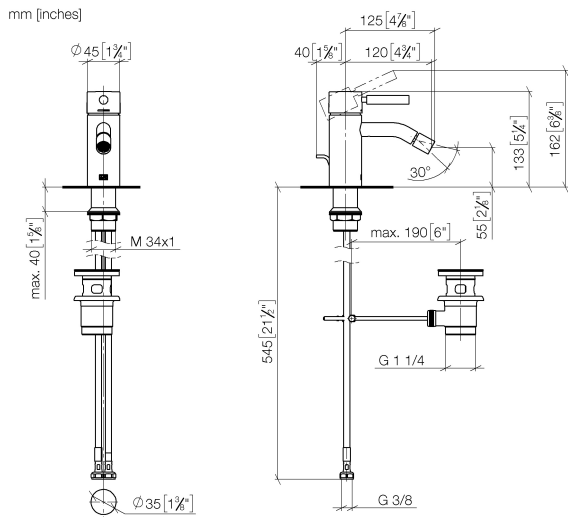


- 125mm projection
- ball-joint pivotable through 15° (in any direction)
- circular, air-enriched flow
- height of mixer 133 mm
- height up to aerator 55 mm
- hole diameter 35 mm
- 2x screw-in M 8 x 1 pressure hose, leak-tested
- max. flow 5.7 l/min
- WRAS

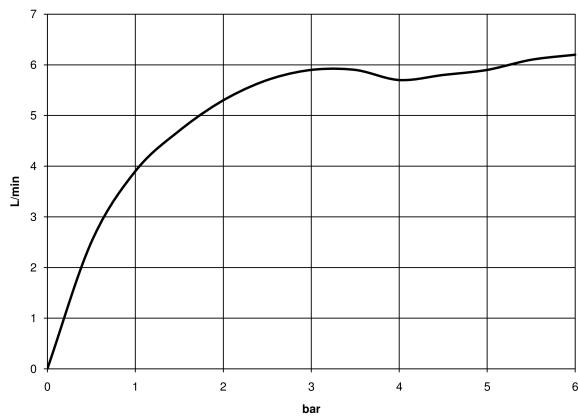
	Brushed Platinum	33 600 660-06
	Chrome	33 600 660-00
	Dark Chrome	33 600 660-19
	Light Gold	33 600 660-26
	Brushed Light Gold	33 600 660-27
	Matte Black	33 600 660-33
	Brushed Bronze	33 600 660-42
	Brushed Champagne (22kt Gold)	33 600 660-46
	Champagne (22kt Gold)	33 600 660-47
	Brushed Chrome	33 600 660-93
	Brushed Dark Platinum	33 600 660-99

**META Single-lever bidet mixer with pop-up waste - Brushed Platinum**

33 600 660 Product version from 1/24/2020



**Flow rate chart**



**Codes & Standards**

ASME A112.18.1	cUPC	DIN 4109	EN 817
ISO 3822	Scottish Water Byelaws	UK Water Supply Regulations	Ü-Zeichen



## META Single-lever bidet mixer with pop-up waste - Brushed Platinum

---

33 600 660 Product version from 1/24/2020

### Certificates

---

WRAS\_2003

DVGW\_DW-  
6506DN0

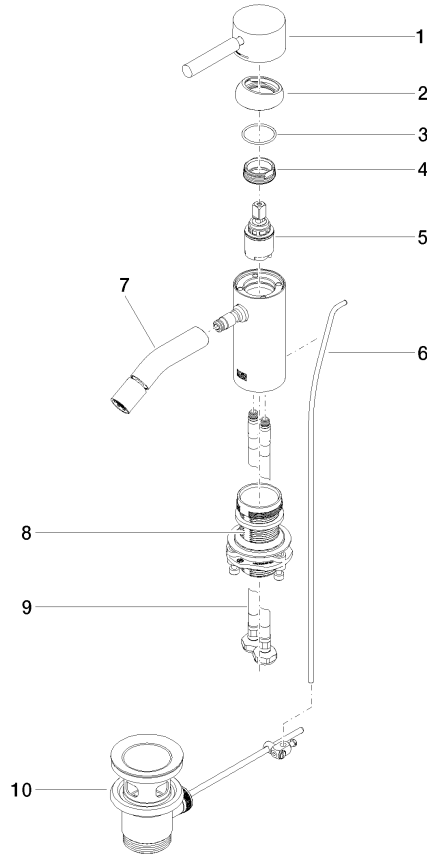
LGA\_29

IAPMO\_4976 (

**META Single-lever bidet mixer with pop-up waste - Brushed Platinum**

33 600 660 Product version from 1/24/2020

Parts for other finishes can be found here: [Chrome](#)



**Spare parts list**

No.	Item Number	Name	Quantity used	Delivery time
1	90 20 66 002 00-06	handle	1	10
2	09 28 30 041-06	cover	1	10
3	09 14 10 091 90	seal	1	2
4	09 24 04 266 90	nut	1	2
5	90 15 05 044 00 90	cartridge	1	2
6	09 31 09 110-06	pull-rod	1	10
7	90 11 06 209 00-06	spout	1	10
8	90 24 04 556 00 90	shaft	1	2
9	04 30 04 101 00 90	hose	1	2
10	90 11 01 001 00-06	pop-up waste	1	10