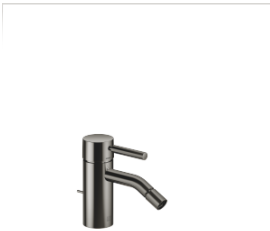


META Single-lever bidet mixer with pop-up waste - Dark Chrome

33 600 660 Product version from 1/24/2020

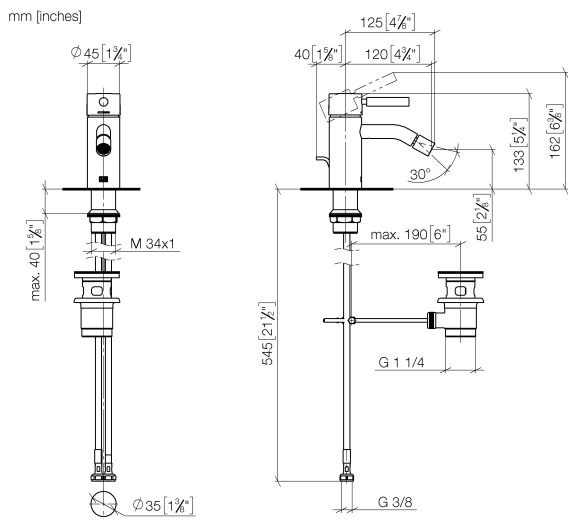


- 125mm projection
- ball-joint pivotable through 15° (in any direction)
- circular, air-enriched flow
- height of mixer 133 mm
- height up to aerator 55 mm
- hole diameter 35 mm
- 2x screw-in M 8 x 1 pressure hose, leak-tested
- max. flow 5.7 l/min
- WRAS

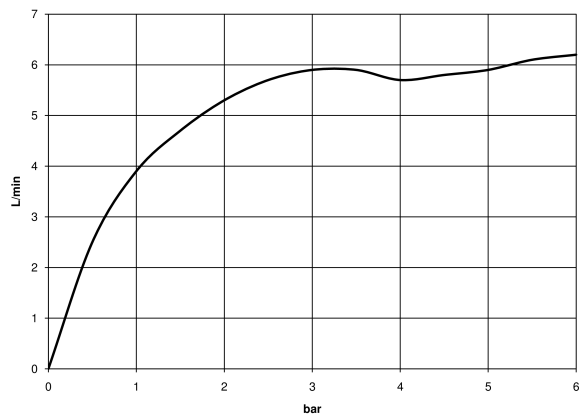
	Dark Chrome	33 600 660-19
	Chrome	33 600 660-00
	Brushed Platinum	33 600 660-06
	Light Gold	33 600 660-26
	Brushed Light Gold	33 600 660-27
	Matte Black	33 600 660-33
	Brushed Bronze	33 600 660-42
	Brushed Champagne (22kt Gold)	33 600 660-46
	Champagne (22kt Gold)	33 600 660-47
	Brushed Chrome	33 600 660-93
	Brushed Dark Platinum	33 600 660-99

META Single-lever bidet mixer with pop-up waste - Dark Chrome

33 600 660 Product version from 1/24/2020



Flow rate chart



Codes & Standards

ASME A112.18.1

cUPC

EN 817



META Single-lever bidet mixer with pop-up waste - Dark Chrome

33 600 660 Product version from 1/24/2020

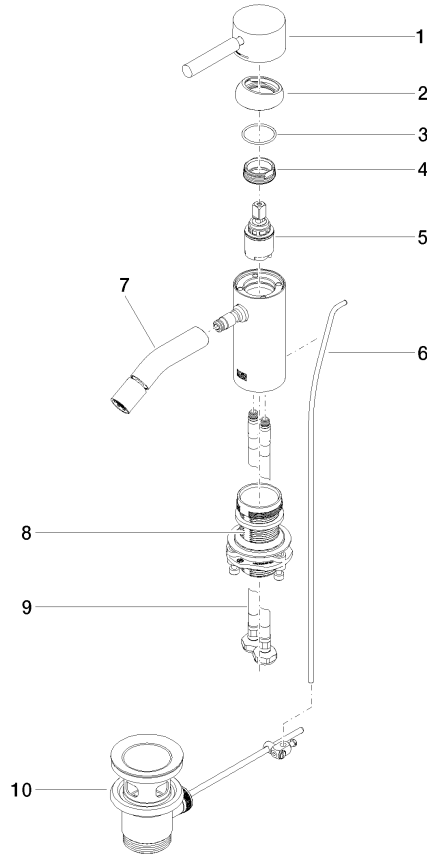
Certificates

DVGW_DW- IAPMO_4976 (
6506DN0

META Single-lever bidet mixer with pop-up waste - Dark Chrome

33 600 660 Product version from 1/24/2020

Parts for other finishes can be found here: [Chrome](#)



Spare parts list

No.	Item Number	Name	Quantity used	Delivery time
1	90 20 66 002 00-19	handle	1	20
2	09 28 30 041-19	cover	1	20
3	09 14 10 091 90	seal	1	2
4	09 24 04 266 90	nut	1	2
5	90 15 05 044 00 90	cartridge	1	2
6	09 31 09 110-19	pull-rod	1	20
7	90 11 06 209 00-19	spout	1	20
8	90 24 04 556 00 90	shaft	1	2
9	04 30 04 101 00 90	hose	1	2
10	90 11 01 001 00-19	pop-up waste	1	20