







## IMO Single-lever bidet mixer with pop-up waste - Dark Chrome

33 600 671 Product version from 4/1/2024



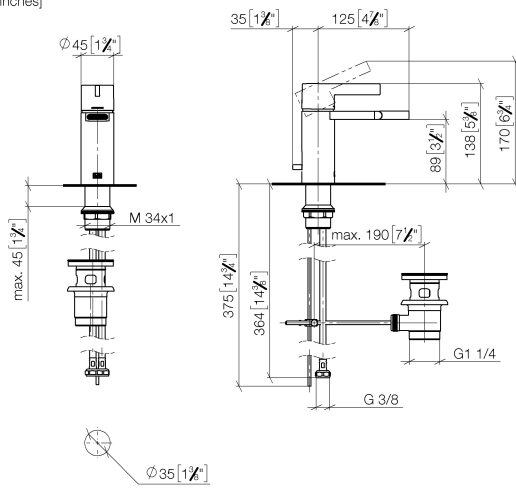
- 125mm projection
- fixed spout
- ball-joint pivotable through 35°
- rectangular, air-enriched flow
- height of mixer 138 mm
- height up to aerator 89 mm
- hole diameter 35 mm
- 2x screw-in M 10 x 1 pressure hose, leak-tested
- max. flow 4.6 l/min

	Dark Chrome	33 600 671-19
	Chrome	33 600 671-00
	Brushed Platinum	33 600 671-06
	Matte Black	33 600 671-33
	Brushed Chrome	33 600 671-93
	Brushed Dark Platinum	33 600 671-99

## IMO Single-lever bidet mixer with pop-up waste - Dark Chrome

33 600 671 Product version from 4/1/2024

mm [inches]



### Flow rate chart



### Codes & Standards

DIN 4109

ISO 3822

Ü-Zeichen



## IMO Single-lever bidet mixer with pop-up waste - Dark Chrome

---

33 600 671 Product version from 4/1/2024

### Certificates

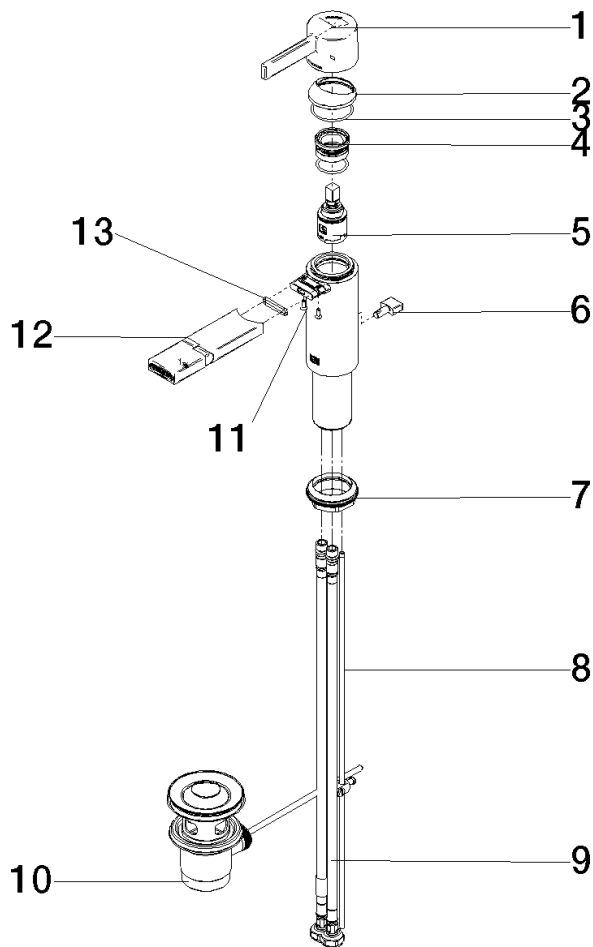
---

LGA\_38

## IMO Single-lever bidet mixer with pop-up waste - Dark Chrome

33 600 671 Product version from 4/1/2024

Parts for other finishes can be found here: [Chrome](#)



### Spare parts list

No.	Item Number	Name	Quantity used	Delivery time
1	90 20 67 019 00-19	handle	1	20
2	90 28 30 059 00-19	cover	1	-
Spare part can no longer be ordered, please order the replacement item				
3	09 14 10 102 90	seal	1	2
4	90 23 10 146 00 90	nut	1	2
5	90 15 05 042 00 90	cartridge	1	2
6	09 20 67 002-19	handle	1	60
7	04 23 10 044 07 90	fixing set	1	2
8	09 31 09 080-19	pull-rod	1	60
9	04 30 04 104 00 90	hose	2	2
10	90 11 01 001 00-19	pop-up waste	1	20
11	09 30 30 166 90	screw	2	2
12	90 28 22 423 00-19	spout	1	20
13	09 14 10 017 90	seal	1	2