

**MEM Single-lever mixer - Brushed Chrome**

MEM

33 800 682



- 201mm projection
- pivotable spout 360°
- Optional swivel limiter available with swivel limiter set 12 820 970 90
- air-enriched flow
- max. flow 6.3 l/min at 3 bar flow pressure
- lead-free
- This product can help a building meet the requirements of Green Building Rating Systems, e.g. LEED®, BREEAM®, DGNB
- WRAS 240202021

	Brushed Chrome	33 800 682-93
	Chrome	33 800 682-00
	Brushed Platinum	33 800 682-06
	Platinum	33 800 682-08
	Durabrand (23kt Gold)	33 800 682-09
	Dark Chrome	33 800 682-19
	Brushed Durabrand (23kt Gold)	33 800 682-28
	Matte Black	33 800 682-33
	Brushed Champagne (22kt Gold)	33 800 682-46
	Champagne (22kt Gold)	33 800 682-47
	Brushed Dark Platinum	33 800 682-99

**Recommended miscellaneous**

**Swivel limitation set -** 12 820 970 90



**Recommended miscellaneous**

**Dispenser without rosette -** 82 424 970-93  
**Brushed Chrome**

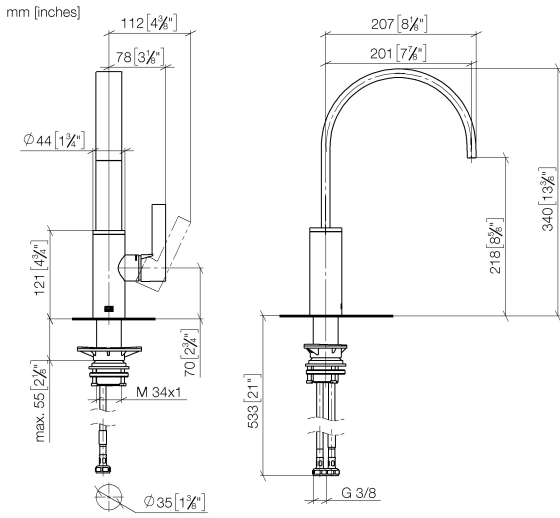


**Recommended miscellaneous**

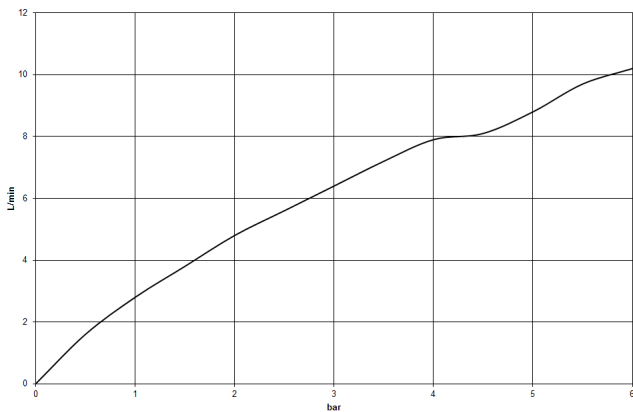
**Strainer waste with control handle** 10 712 970-93  
**- Brushed Chrome**



33 800 682



**Flow rate chart**



**Codes & Standards**

DIN 4109

ISO 3822

Scottish Water  
Byelaws

UK Water Supply  
Regulations

**Ü-Zeichen**



## MEM Single-lever mixer - Brushed Chrome

---

MEM

33 800 682

### Certificates

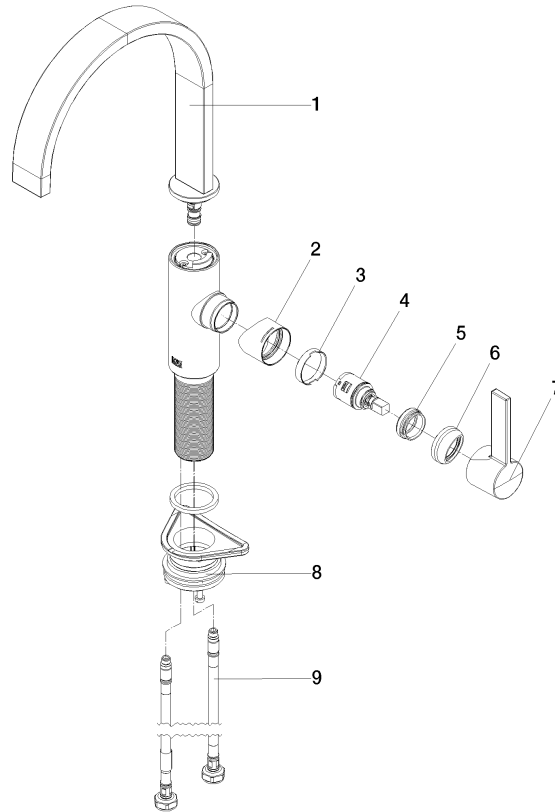
---

WRAS\_240202

LGA\_38

33 800 682

Product version from 3/1/2023





# MEM Single-lever mixer - Brushed Chrome

MEM

33 800 682

## Spare parts list

### Product version from 3/1/2023

No.	Item Number	Name	Quantity used	Delivery time
	90 28 22 332 00-93	spout	10	-

Spare part can no longer be ordered, please order the replacement item