

33 805 809



- 167mm projection
- pivotable spout 360°
- air-enriched flow
- max. flow 7 l/min at 3 bar flow pressure
- lead-free
- This product can help a building meet the requirements of Green Building Rating Systems, e.g. LEED®, BREEAM®, DGNB

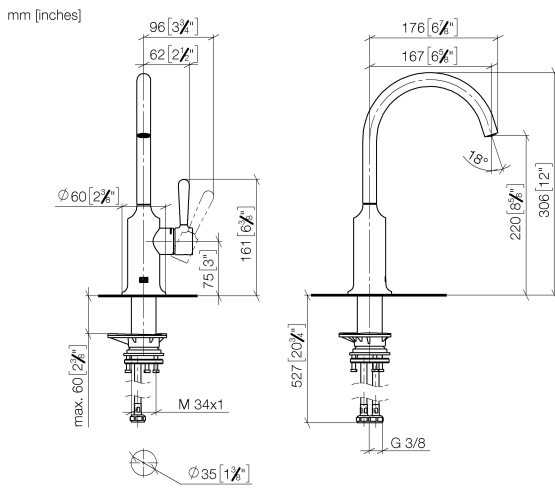
| | | |
|---|--------------------------------|---------------|
|  | Durabronss (23kt Gold) | 33 805 809-09 |
|  | Chrome | 33 805 809-00 |
|  | Brushed Platinum | 33 805 809-06 |
|  | Platinum | 33 805 809-08 |
|  | Dark Chrome | 33 805 809-19 |
|  | Brushed Durabronss (23kt Gold) | 33 805 809-28 |
|  | Matte Black | 33 805 809-33 |
|  | Brushed Champagne (22kt Gold) | 33 805 809-46 |
|  | Champagne (22kt Gold) | 33 805 809-47 |
|  | Brushed Chrome | 33 805 809-93 |
|  | Brushed Dark Platinum | 33 805 809-99 |

Recommended miscellaneous

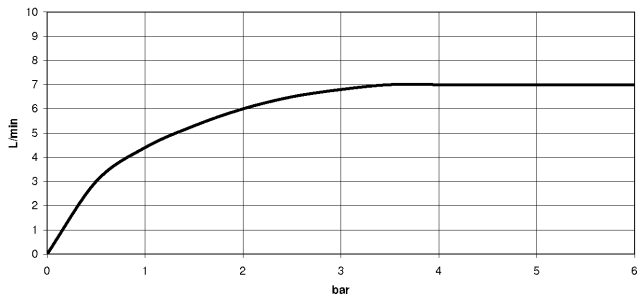
VAIA Dispenser with rosette - Durabronss (23kt Gold) 82 434 809-09



33 805 809



Flow rate chart

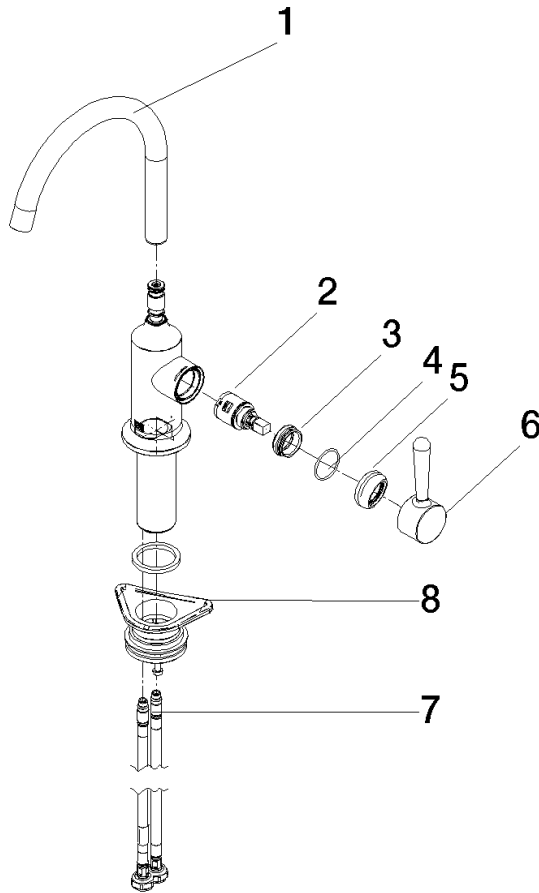


Certificates

LGA_29299.

33 805 809

Parts for other finishes can be found here: [Chrome](#)



Spare parts list

| No. | Item Number | Name | Quantity used | Delivery time |
|--|--------------------|------------|---------------|---------------|
| 1 | 90 28 22 311 02-09 | spout | 1 | - |
| Spare part can no longer be ordered, please order the replacement item | | | | |
| 2 | 90 15 05 042 00 90 | cartridge | 1 | 2 |
| 3 | 09 24 04 266 90 | nut | 1 | 2 |
| 4 | 09 14 10 091 90 | seal | 1 | 2 |
| 5 | 90 28 30 052 00-09 | cover | 1 | 40 |
| 6 | 90 20 80 050 00-09 | handle | 1 | - |
| Spare part can no longer be ordered, please order the replacement item | | | | |
| 7 | 04 30 04 100 00 90 | hose | 2 | 2 |
| 8 | 04 23 10 044 08 90 | fixing set | 1 | 2 |