

33 805 888



- 166mm projection
- pivotable spout 360°
- laminar flow
- height of mixer 302 mm
- height up to laminar flow regulator 185 mm
- hole diameter 35 mm
- max. flow 8.3 l/min at 3 bar flow pressure
- lead-free
- This product can help a building meet the requirements of Green Building Rating Systems, e.g. LEED®, BREEAM®, DGNB

| | | |
|---|--------------------------------|---------------|
|  | Brushed Dark Platinum | 33 805 888-99 |
|  | Chrome | 33 805 888-00 |
|  | Brushed Platinum | 33 805 888-06 |
|  | Platinum | 33 805 888-08 |
|  | Durabronze (23kt Gold) | 33 805 888-09 |
|  | Dark Chrome | 33 805 888-19 |
|  | Brushed Durabronze (23kt Gold) | 33 805 888-28 |
|  | Matte Black | 33 805 888-33 |
|  | Brushed Champagne (22kt Gold) | 33 805 888-46 |
|  | Champagne (22kt Gold) | 33 805 888-47 |
|  | Brushed Chrome | 33 805 888-93 |

Recommended miscellaneous

Strainer waste with control handle - Brushed Dark Platinum 10 710 970-99



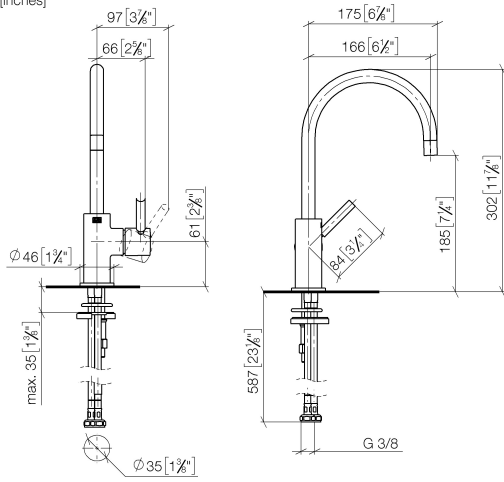
Recommended miscellaneous

Dispenser with rosette - Brushed Dark Platinum 82 444 970-99

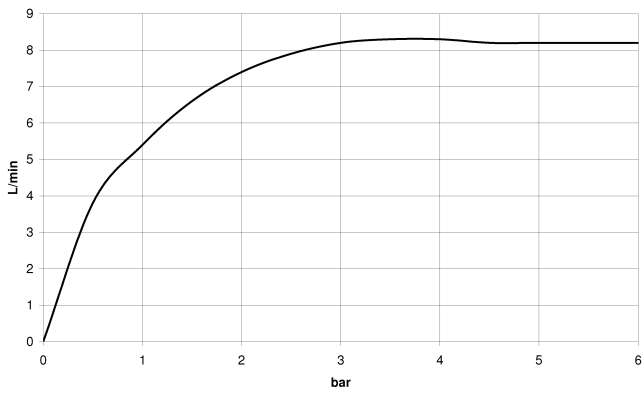


33 805 888

mm [inches]



Flow rate chart



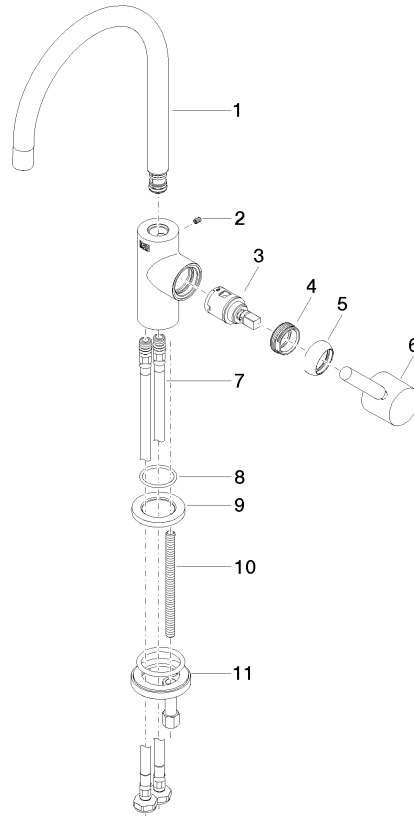
Certificates

LGA_38637.

WRAS_240102012.

33 805 888

Parts for other finishes can be found here: [Chrome](#)



Spare parts list

| No. | Item Number | Name | Quantity used | Delivery time |
|--|--------------------|------------|---------------|---------------|
| 1 | 90 28 22 393 00-99 | spout | 1 | - |
| Spare part can no longer be ordered, please order the replacement item | | | | |
| 2 | 09 31 11 008 90 | pin | 1 | 2 |
| 3 | 90 15 05 042 00 90 | cartridge | 1 | 2 |
| 4 | 09 24 04 266 90 | nut | 1 | 2 |
| 5 | 09 28 30 021-99 | cover | 1 | 30 |
| 6 | 90 20 66 003 00-99 | handle | 1 | 30 |
| 7 | 04 30 04 105 00 90 | hose | 2 | 2 |
| 8 | 09 14 10 118 90 | seal | 1 | 2 |
| 9 | 09 27 85 001-99 | rosette | 1 | 30 |
| 10 | 09 31 11 012 90 | pin | 1 | 2 |
| 11 | 04 30 11 038 64 90 | fixing set | 1 | 2 |