

META 02 Single-lever mixer - Chrome

33 810 625 Product version from 5/11/2021



- 235mm projection
- pivotable spout 360°
- air-enriched flow
- height of mixer 365 mm
- height up to aerator 279 mm
- hole diameter 35 mm
- max. flow 7 l/min at 3 bar flow pressure
- lead-free

Recommended miscellaneous

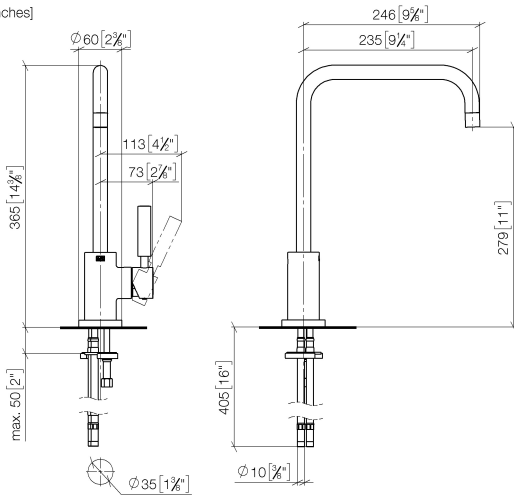
Strainer waste with control handle 10 710 970-00
- Chrome



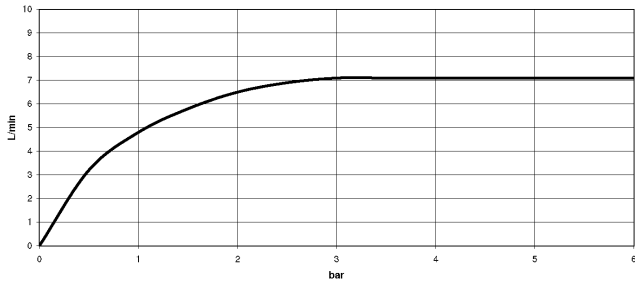
META 02 Single-lever mixer - Chrome

33 810 625 Product version from 5/11/2021

mm [inches]



Flow rate chart



Codes & Standards

DIN 4109

ISO 3822

Ü-Zeichen



META 02 Single-lever mixer - Chrome

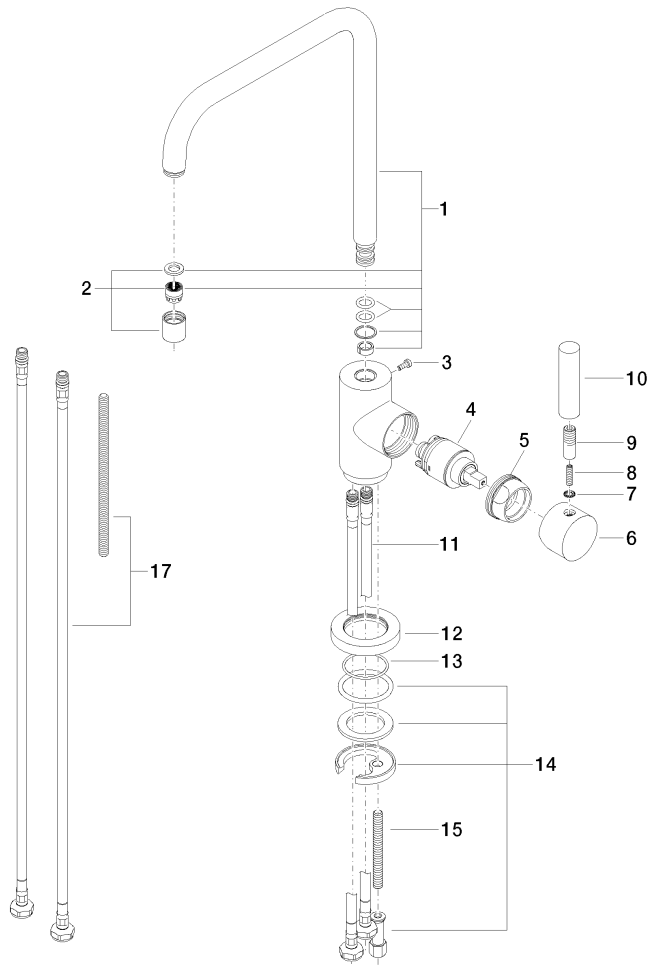
33 810 625 Product version from 5/11/2021

Certificates

LGA_28

META 02 Single-lever mixer - Chrome

33 810 625 Product version from 5/11/2021



Spare parts list

| No. | Item Number | Name | Quantity used | Delivery time |
|-----|--------------------|------------|---------------|---------------|
| 1 | 90 28 22 209 00-00 | spout | 1 | 10 |
| 2 | 90 23 01 028 03-00 | aerator | 1 | 10 |
| 3 | 09 30 30 054 90 | screw | 1 | 2 |
| 4 | 90 15 05 030 00 90 | cartridge | 1 | 2 |
| 5 | 09 24 04 107-00 | nut | 1 | 10 |
| 6 | 90 20 88 040 00-00 | handle | 1 | 10 |
| 7 | 90 30 11 032 00 90 | disc | 1 | 2 |
| 8 | 09 31 11 010 90 | pin | 1 | 2 |
| 9 | 90 24 04 048 00-00 | nipple | 1 | 10 |
| 10 | 11 170 880-00 | handle | 1 | 10 |
| 11 | 04 30 04 104 00 90 | hose | 2 | 2 |
| 12 | 09 28 10 055-00 | rosette | 1 | 10 |
| 13 | 09 14 10 034 90 | seal | 1 | 2 |
| 14 | 04 30 11 038 00 90 | fixing set | 1 | 2 |
| 15 | 09 31 11 011 90 | pin | 1 | 2 |
| 17 | 12 803 970 90 | extension | 1 | 60 |