

33 826 790



- 234mm projection
- pivotable spout 360°
- spout, end-piece with 20° rotation
- air-enriched flow
- height of mixer 337 mm
- height up to aerator 297 mm
- single-lever mixer hole diameter 35mm
- max. flow 8 l/min at 3 bar flow pressure
- lead-free
- This product can help a building meet the requirements of Green Building Rating Systems, e.g. LEED®, BREEAM®, DGNB

Single-lever mixer for combining with rinsing/Profi spray only

	Dark Chrome	33 826 790-19
	Chrome	33 826 790-00
	Brushed Platinum	33 826 790-06
	Platinum	33 826 790-08
	Brushed Durabronze (23kt Gold)	33 826 790-28
	Brushed Champagne (22kt Gold)	33 826 790-46
	Champagne (22kt Gold)	33 826 790-47
	Brushed Chrome	33 826 790-93
	Brushed Dark Platinum	33 826 790-99

Required miscellaneous



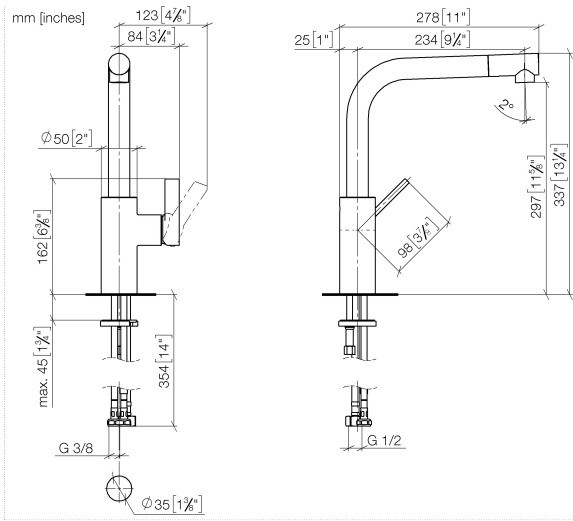
Rinsing spray set - Dark Chrome 27 721 970-19

Required miscellaneous



Profi spray set - Dark Chrome 27 789 970-19

33 826 790



Flow rate chart



Codes & Standards

Executive Order
no. 1007



ELIO Single-lever mixer for rinsing/Profi spray - Dark Chrome

ELIO

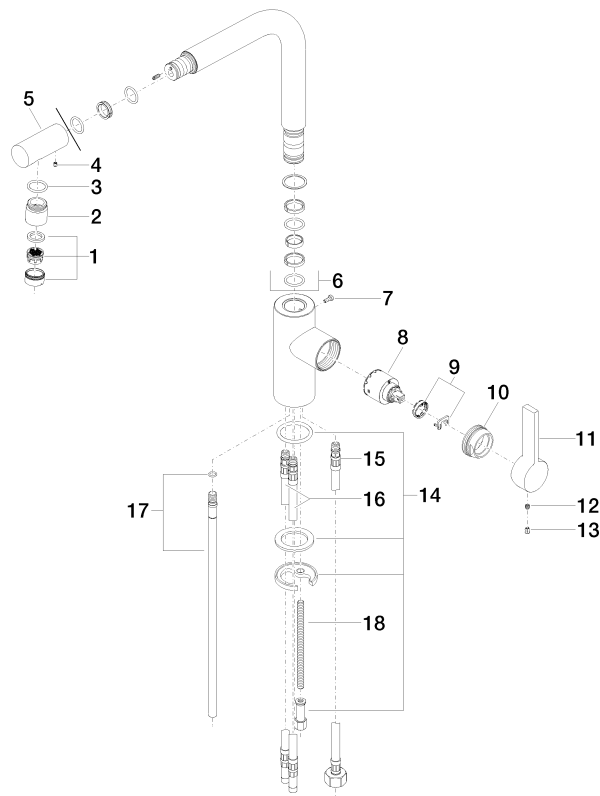
33 826 790

Certificates

GDV_0400

33 826 790

Parts for other finishes can be found here: [Chrome](#)





Spare parts list