

33 826 809



- 241mm projection
- pivotable spout 360°
- air-enriched flow
- max. flow 7 l/min at 3 bar flow pressure
- lead-free
- This product can help a building meet the requirements of Green Building Rating Systems, e.g. LEED®, BREEAM®, DGNB

Single-lever mixer for combining with rinsing/Profi spray only

	Brushed Durabron (23kt Gold)	33 826 809-28
	Chrome	33 826 809-00
	Brushed Platinum	33 826 809-06
	Platinum	33 826 809-08
	Durabron (23kt Gold)	33 826 809-09
	Dark Chrome	33 826 809-19
	Matte Black	33 826 809-33
	Brushed Champagne (22kt Gold)	33 826 809-46
	Champagne (22kt Gold)	33 826 809-47
	Brushed Chrome	33 826 809-93
	Brushed Dark Platinum	33 826 809-99

Recommended miscellaneous



VAIA Rinsing spray set - Brushed Durabron (23kt Gold) 27 718 809-28

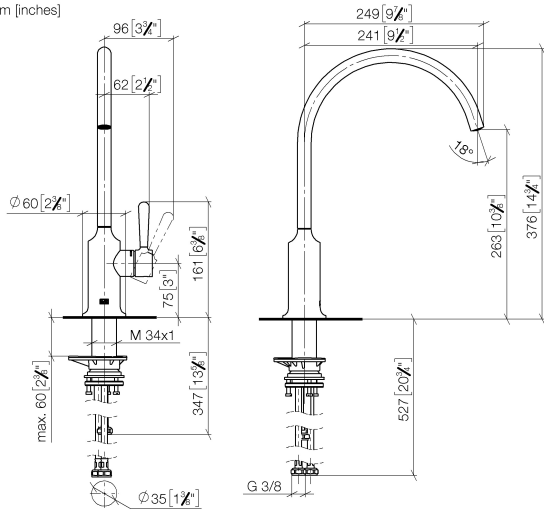
Recommended miscellaneous



VAIA Dispenser with rosette - Brushed Durabron (23kt Gold) 82 434 809-28

33 826 809

mm [inches]



Flow rate chart



Codes & Standards

DIN 4109

ISO 3822

Scottish Water
Byelaws

UK Water Supply
Regulations

Ü-Zeichen



VAIA Single-lever mixer for rinsing/Profi spray - Brushed Durabross (23kt Gold)

VAIA

33 826 809

Certificates

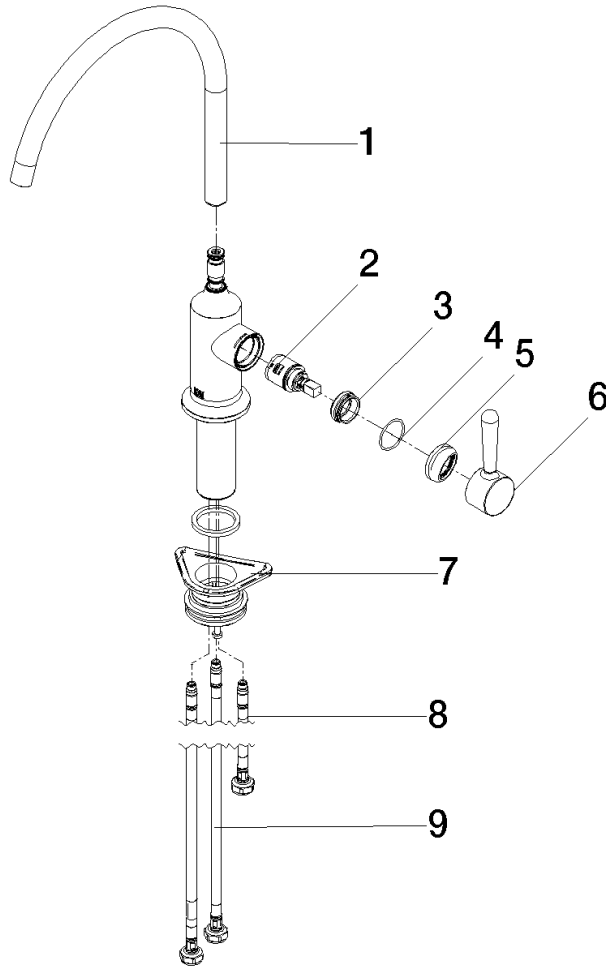
LGA_38

WRAS_240602

33 826 809

Product version from 7/1/2023

Parts for other finishes can be found here: [Chrome](#)





VAIA Single-lever mixer for rinsing/Profi spray - Brushed Durabross (23kt Gold)

VAIA

33 826 809

Spare parts list

Product version from 7/1/2023

No.	Item Number	Name	Quantity used	Delivery time
	90 28 22 396 00-28	spout	11	20