

## META SQUARE Single-lever mixer for rinsing/Profi spray - Dark Chrome

33 826 861 Product version from 2/1/2023

- 235mm projection
- pivotable spout 360°
- Optional swivel limiter available with swivel limiter set 12 820 970 90
- air-enriched flow
- max. flow 8 l/min at 3 bar flow pressure
- lead-free
- This product can help a building meet the requirements of Green Building Rating Systems, e.g. LEED®, BREEAM®, DGNB
- WRAS

Single-lever mixer for combining with rinsing/Profi spray only

	Dark Chrome	33 826 861-19
	Chrome	33 826 861-00
	Brushed Platinum	33 826 861-06
	Platinum	33 826 861-08
	Durabrass (23kt Gold)	33 826 861-09
	Brushed Durabrass (23kt Gold)	33 826 861-28
	Matte Black	33 826 861-33
	Brushed Bronze	33 826 861-42
	Brushed Champagne (22kt Gold)	33 826 861-46
	Champagne (22kt Gold)	33 826 861-47
	Brushed Chrome	33 826 861-93
	Brushed Dark Platinum	33 826 861-99

### Recommended miscellaneous



**Swivel limitation set -** 12 820 970 90

### Recommended miscellaneous



**Rinsing spray set - Dark Chrome** 27 731 970-19

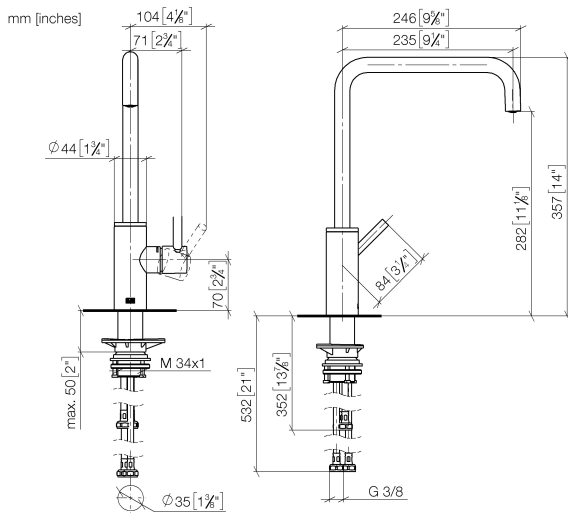
### Recommended miscellaneous



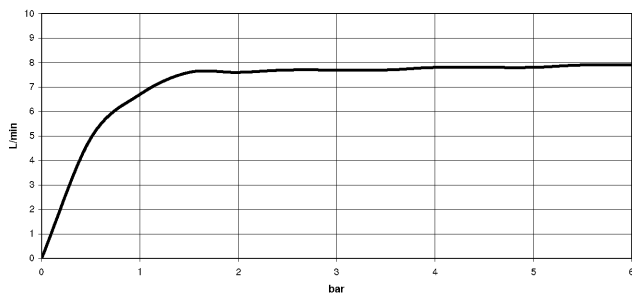
**Profi spray set - Dark Chrome** 27 799 970-19

**META SQUARE Single-lever mixer for rinsing/Profi spray - Dark Chrome**

33 826 861 Product version from 2/1/2023



**Flow rate chart**



**Codes & Standards**

DIN 4109

ISO 3822

Scottish Water  
Byelaws

UK Water Supply  
Regulations

**Ü-Zeichen**



## META SQUARE Single-lever mixer for rinsing/Profi spray - Dark Chrome

---

33 826 861 Product version from 2/1/2023

### Certificates

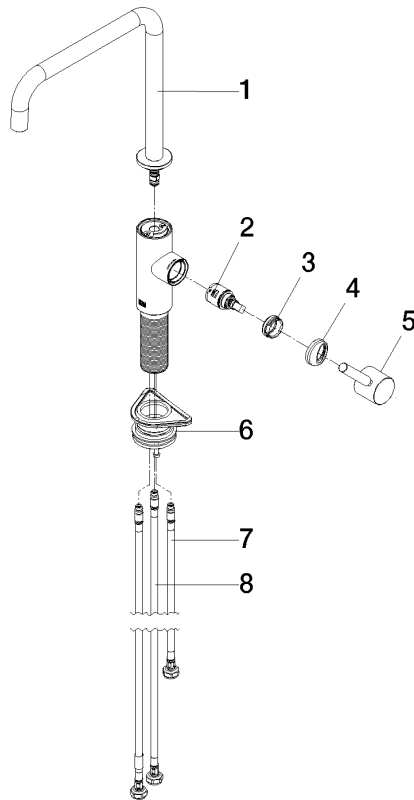
---

LGA\_38

WRAS\_240102

**META SQUARE Single-lever mixer for rinsing/Profi spray - Dark Chrome**

33 826 861 Product version from 2/1/2023



**Spare parts list**

No.	Item Number	Name	Quantity used	Delivery time
1	90 28 22 284 00-19	spout	1	20
2	90 15 05 042 00 90	cartridge	1	2
3	09 24 04 266 90	nut	1	2
4	90 28 30 052 00-19	cover	1	20
5	90 20 66 033 00-19	handle	1	20
6	04 23 10 044 08 90	fixing set	1	2
7	04 30 04 100 00 90	hose	1	2
8	04 30 04 101 00 90	hose	2	2