

TARA Single-lever mixer for rinsing/Profi spray - Champagne (22kt Gold)

33 826 888



- 235mm projection
- pivotable spout 360°
- air-enriched flow
- height of mixer 400 mm
- height up to aerator 230 mm
- single-lever mixer hole diameter 35mm
- max. flow 7 l/min at 3 bar flow pressure
- lead-free
- WRAS 2311044
- This product can help a building meet the requirements of Green Building Rating Systems, e.g. LEED®, BREEAM®, DGNB

Single-lever mixer for combining with rinsing/Profi spray only

| | | |
|---|--------------------------------|---------------|
|  | Champagne (22kt Gold) | 33 826 888-47 |
|  | Chrome | 33 826 888-00 |
|  | Brushed Platinum | 33 826 888-06 |
|  | Platinum | 33 826 888-08 |
|  | Durabronze (23kt Gold) | 33 826 888-09 |
|  | Dark Chrome | 33 826 888-19 |
|  | Brushed Durabronze (23kt Gold) | 33 826 888-28 |
|  | Matte Black | 33 826 888-33 |
|  | Brushed Champagne (22kt Gold) | 33 826 888-46 |
|  | Brushed Chrome | 33 826 888-93 |
|  | Brushed Dark Platinum | 33 826 888-99 |

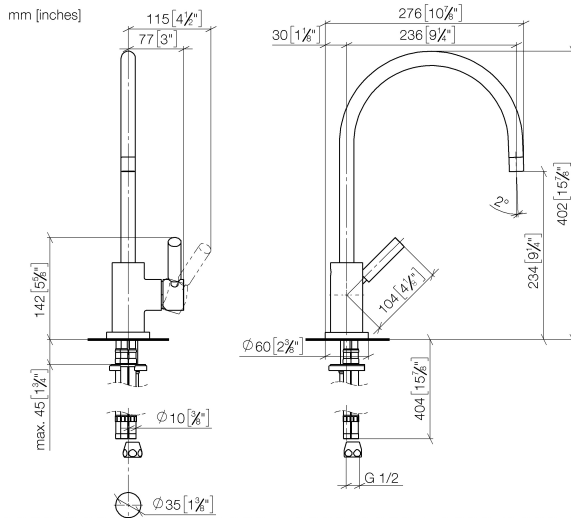
Recommended miscellaneous



Rinsing spray set - Champagne (22kt Gold) 27 721 970-47

TARA Single-lever mixer for rinsing/Profi spray - Champagne (22kt Gold)

33 826 888



Flow rate chart



Certificates

LGA_18901.

WRAS_2311044.

