

33 865 895



- 200mm projection
- Flexible silicone hose with large operating range of up to 350 mm
- pivotable spout 360°
- Optional swivel limiter available with swivel limiter set 12 821 970 90
- This product can help a building meet the requirements of Green Building Rating Systems, e.g. LEED®, BREEAM®, DGNB
- air-enriched flow and spray flow
- height of mixer 451 mm
- height up to aerator 119 mm
- hole diameter 35 mm
- sprayface with anti-scaling system
- max. flow 9.5 l/min at 3 bar flow pressure
- lead-free

Intrinsic protection against back flow.

	Dark Chrome	33 865 895-19
	Chrome	33 865 895-00
	Brushed Platinum	33 865 895-06
	Platinum	33 865 895-08
	Durabrand (23kt Gold)	33 865 895-09
	Brushed Durabrand (23kt Gold)	33 865 895-28
	Matte Black	33 865 895-33
	Brushed Champagne (22kt Gold)	33 865 895-46
	Champagne (22kt Gold)	33 865 895-47
	Brushed Chrome	33 865 895-93
	Brushed Dark Platinum	33 865 895-99

Recommended miscellaneous

Swivel limitation set - 12 821 970 90



Recommended miscellaneous

Strainer waste with control handle - Dark Chrome 10 712 970-19

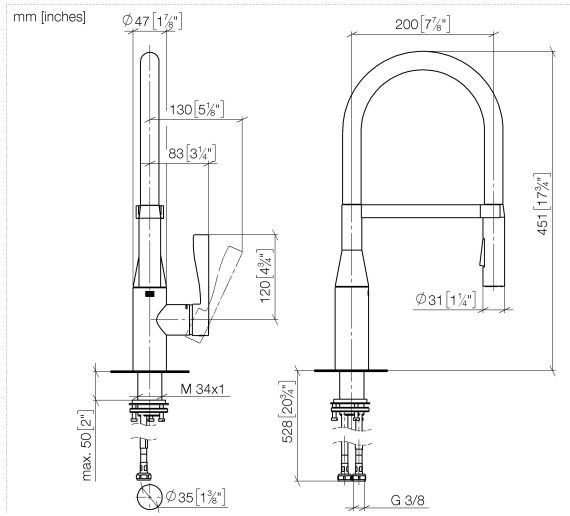


Recommended miscellaneous

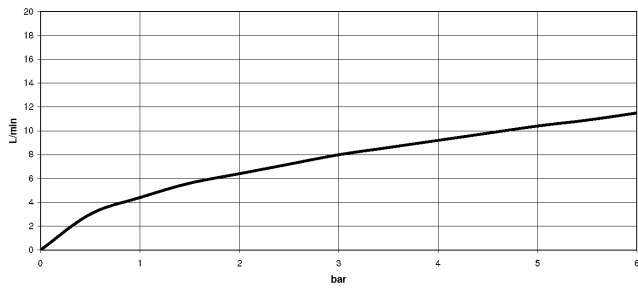
Dispenser without rosette - Dark Chrome 82 424 970-19



33 865 895



Flow rate chart



33 865 895

