

**ENO Single-lever mixer Pull-out with spray function - Brushed Durabron (23kt Gold)**

ENO

33 870 760



- 225mm projection
- pivotable spout 130°
- air-enriched flow and spray flow
- height of mixer 167 mm
- height up to aerator 137 mm
- hole diameter 35 mm
- fabric braided hose 1500 mm
- max. flow 8.3 l/min at 3 bar flow pressure
- lead-free
- This product can help a building meet the requirements of Green Building Rating Systems, e.g. LEED®, BREEAM®, DGNB

Intrinsic protection against back flow.

|   |                               |               |
|---|-------------------------------|---------------|
|  | Brushed Durabron (23kt Gold)  | 33 870 760-28 |
|  | Chrome                        | 33 870 760-00 |
|  | Brushed Platinum              | 33 870 760-06 |
|  | Platinum                      | 33 870 760-08 |
|  | Dark Chrome                   | 33 870 760-19 |
|  | Brushed Champagne (22kt Gold) | 33 870 760-46 |
|  | Champagne (22kt Gold)         | 33 870 760-47 |
|  | Brushed Chrome                | 33 870 760-93 |
|  | Brushed Dark Platinum         | 33 870 760-99 |

**Recommended miscellaneous**

**Strainer waste with control handle - Brushed Durabron (23kt Gold)** 10 712 970-28

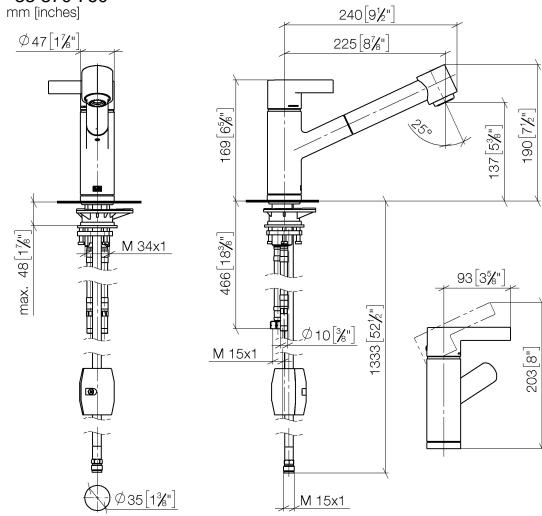


**Recommended miscellaneous**

**Dispenser without rosette - Brushed Durabron (23kt Gold)** 82 424 970-28



33 870 760  
mm [inches]



**Flow rate chart**



**Certificates**

ETA\_20612.

LGA\_19873.

GDV\_0400277.

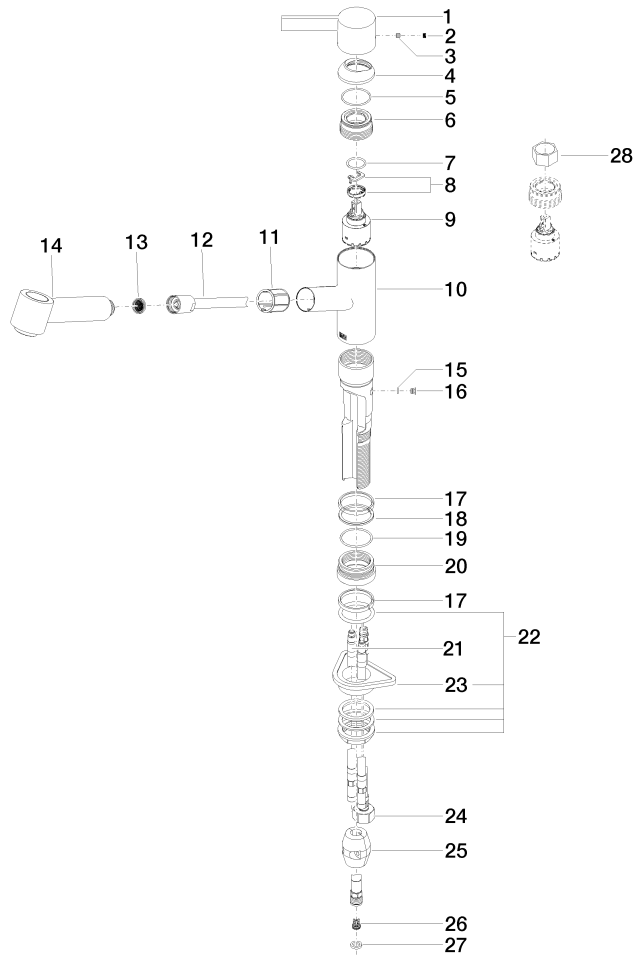
Belgaqua\_22\_277\_2  
7\_3.

**ENO Single-lever mixer Pull-out with spray function - Brushed Durabronz (23kt Gold)**

ENO

33 870 760

Parts for other finishes can be found here: [Chrome](#)





## ENO Single-lever mixer Pull-out with spray function - Brushed Durabron (23kt Gold)

ENO

33 870 760

### Spare parts list

| No. | Item Number        | Name                | Quantity used | Delivery time |
|-----|--------------------|---------------------|---------------|---------------|
| 1   | 09 20 76 001-28    | handle              | 1             | 20            |
| 2   | 90 31 20 109 00 90 | plug                | 1             | 2             |
| 3   | 90 31 11 030 00 90 | pin                 | 1             | 2             |
| 4   | 09 28 30 012-28    | cover               | 1             | 20            |
| 5   | 09 14 10 102 90    | seal                | 1             | 2             |
| 6   | 09 24 04 270 90    | nut                 | 1             | 2             |
| 7   | 09 14 10 031 90    | seal                | 1             | 2             |
| 8   | 90 28 10 148 00 90 | accessories         | 1             | 2             |
| 9   | 90 15 05 064 00 90 | cartridge           | 1             | 2             |
| 10  | 09 19 76 001-28    | sleeve              | 1             | 20            |
| 11  | 09 18 40 099 90    | sleeve              | 1             | 2             |
| 12  | 90 30 02 062 00-28 | hose                | 1             | 20            |
| 13  | 09 23 01 039 90    | sieve               | 1             | 2             |
| 14  | 90 12 11 098 00-28 | shower              | 1             | 20            |
| 15  | 09 14 10 001 90    | seal                | 1             | 2             |
| 16  | 09 30 30 113 20 90 | screw               | 1             | 2             |
| 17  | 09 14 15 029 90    | ring                | 2             | 2             |
| 18  | 09 28 10 144 90    | ring                | 1             | 2             |
| 19  | 09 14 10 034 90    | seal                | 1             | 2             |
| 20  | 09 27 76 001-28    | rosette             | 1             | 20            |
| 21  | 04 30 04 018 00 90 | hose                | 2             | 60            |
| 22  | 04 23 10 044 02 90 | fixing set          | 1             | 2             |
| 23  | 09 18 40 090 90    | sleeve              | 1             | 2             |
| 24  | 04 30 04 029 00 90 | hose                | 1             | 2             |
| 25  | 04 21 50 005 00 90 | accessories         | 1             | 2             |
| 26  | 09 23 01 131 90    | back-flow preventer | 1             | 2             |
| 27  | 90 14 20 019 00 90 | seal                | 1             | 2             |
| 28  | 90 30 09 031 00 90 | key                 | 1             | 2             |