

33 870 760



- 225mm projection
- pivotable spout 130°
- air-enriched flow and spray flow
- height of mixer 167 mm
- height up to aerator 137 mm
- hole diameter 35 mm
- fabric braided hose 1500 mm
- max. flow 8.3 l/min at 3 bar flow pressure
- lead-free
- This product can help a building meet the requirements of Green Building Rating Systems, e.g. LEED®, BREEAM®, DGNB

Intrinsic protection against back flow.

|   |                                |               |
|---|--------------------------------|---------------|
|  | Champagne (22kt Gold)          | 33 870 760-47 |
|  | Chrome                         | 33 870 760-00 |
|  | Brushed Platinum               | 33 870 760-06 |
|  | Platinum                       | 33 870 760-08 |
|  | Dark Chrome                    | 33 870 760-19 |
|  | Brushed Durabronze (23kt Gold) | 33 870 760-28 |
|  | Brushed Champagne (22kt Gold)  | 33 870 760-46 |
|  | Brushed Chrome                 | 33 870 760-93 |
|  | Brushed Dark Platinum          | 33 870 760-99 |

**Recommended miscellaneous**

**Dispenser without rosette - Champagne (22kt Gold)**

82 424 970-47



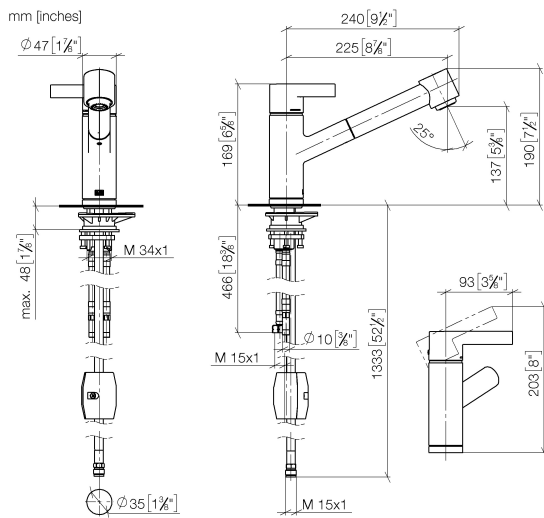
**Recommended miscellaneous**

**Strainer waste with control handle - Champagne (22kt Gold)**

10 712 970-47



33 870 760



**Flow rate chart**



**Certificates**

LGA\_19873.

GDV\_0400277.

Belgaqua\_22\_277\_2  
7\_3.

33 870 760

Parts for other finishes can be found here: [Chrome](#)

