

33 870 895



- 240mm projection
- pivotable spout 360°
- Optional swivel limiter available with swivel limiter set 12 821 970 90
- laminar and spray flow
- height of mixer 444 mm
- height up to laminar flow regulator 240 mm
- hole diameter 35 mm
- 1800 mm metal shower hose
- sprayface with anti-scaling system
- max. flow 10.4 l/min at 3 bar flow pressure
- lead-free
- This product can help a building meet the requirements of Green Building Rating Systems, e.g. LEED®, BREEAM®, DGNB

Intrinsic protection against back flow.

| | | |
|---|-------------------------------|---------------|
|  | Chrome | 33 870 895-00 |
|  | Brushed Platinum | 33 870 895-06 |
|  | Platinum | 33 870 895-08 |
|  | Durabrand (23kt Gold) | 33 870 895-09 |
|  | Dark Chrome | 33 870 895-19 |
|  | Brushed Durabrand (23kt Gold) | 33 870 895-28 |
|  | Matte Black | 33 870 895-33 |
|  | Brushed Champagne (22kt Gold) | 33 870 895-46 |
|  | Champagne (22kt Gold) | 33 870 895-47 |
|  | Brushed Chrome | 33 870 895-93 |
|  | Brushed Dark Platinum | 33 870 895-99 |

Recommended miscellaneous

Swivel limitation set - 12 821 970 90



Recommended miscellaneous

Strainer waste with control handle - Chrome 10 712 970-00

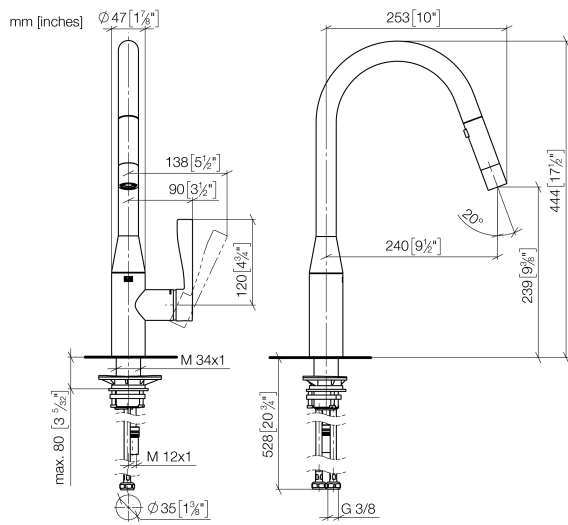


Recommended miscellaneous

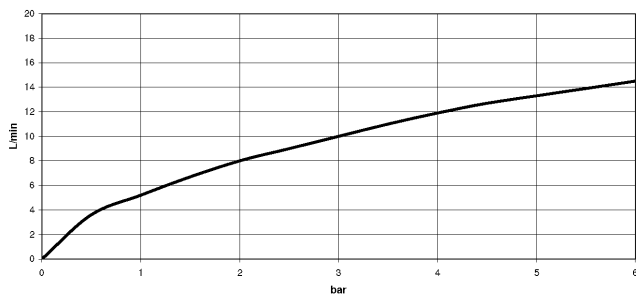
Dispenser without rosette - Chrome 82 424 970-00



33 870 895



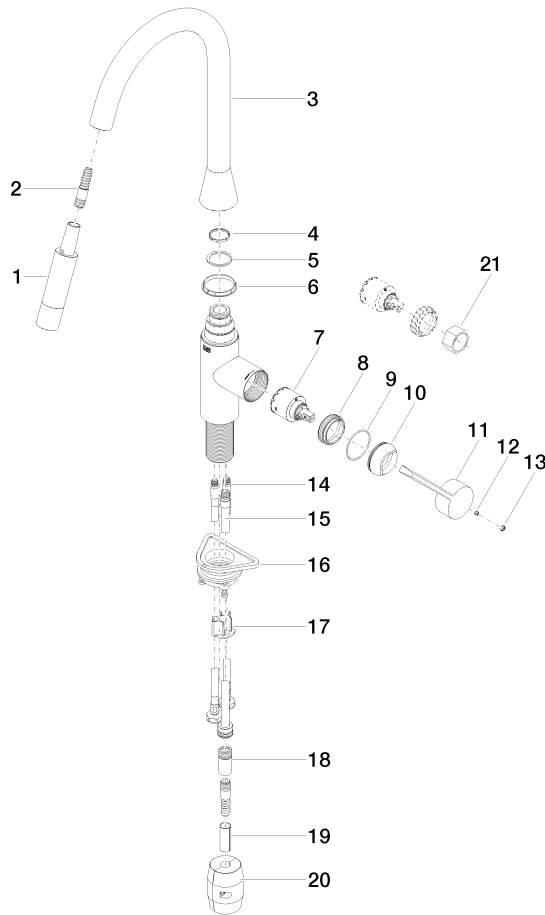
Flow rate chart



Certificates

Belgaqua_21-027- 27_3. LGA_28657. GDV_0400314.

33 870 895



Spare parts list

| No. | Item Number | Name | Quantity used | Delivery time |
|-----|--------------------|-------------|---------------|---------------|
| 1 | 90 12 11 148 00-00 | shower | 1 | 10 |
| 2 | 04 30 02 120 00-00 | hose | 1 | 10 |
| 3 | 90 28 22 302 00-00 | spout | 1 | 10 |
| 4 | 09 28 10 160 90 | ring | 1 | 2 |
| 5 | 09 28 10 162 90 | ring | 1 | 2 |
| 6 | 09 28 10 161 90 | ring | 1 | 2 |
| 7 | 90 15 05 064 00 90 | cartridge | 1 | 2 |
| 8 | 09 23 10 072 90 | nut | 1 | 60 |
| 9 | 09 14 10 190 90 | seal | 1 | 2 |
| 10 | 09 28 30 030-00 | cover | 1 | 10 |
| 11 | 09 20 89 020-00 | handle | 1 | 10 |
| 12 | 90 31 11 063 00 90 | pin | 1 | 2 |
| 13 | 90 31 20 087 00-00 | plug | 1 | 10 |
| 14 | 04 30 04 101 00 90 | hose | 2 | 2 |
| 15 | 04 28 20 067 00 90 | pipe | 1 | 2 |
| 16 | 04 30 11 040 00 90 | fixing set | 1 | 2 |
| 17 | 09 20 93 056 90 | insert | 1 | 2 |
| 18 | 90 24 03 253 00 90 | adaptor | 1 | 2 |
| 19 | 09 30 03 038 90 | hose | 1 | 2 |
| 20 | 04 21 50 010 00 90 | accessories | 1 | 2 |
| 21 | 90 30 09 031 00 90 | key | 1 | 2 |