

VAIA Shower pipe with shower thermostat without hand shower - Brushed Champagne (22kt Gold)

VAIA

34 460 809



- shower with fixed riser projection 452mm
- overhead shower: rain flow
- rain shower Ø 300 mm
- rain shower with anti-scale system
- max. rainshower flow 14 l/min
- Function from: 10 l/min
- rotary diverter with volume control and shut-off function
- slide-on rosettes Ø 70 mm
- height of fittings up to rain shower (bottom edge) 964mm
- height of fittings up to top edge of elbow 1267mm
- gauge 150 mm - 13 mm
- metal shower hose 1750mm with integrated anti-twist protection
- 1/2" connection
- slide bar
- Pipe diameter 23.5 mm

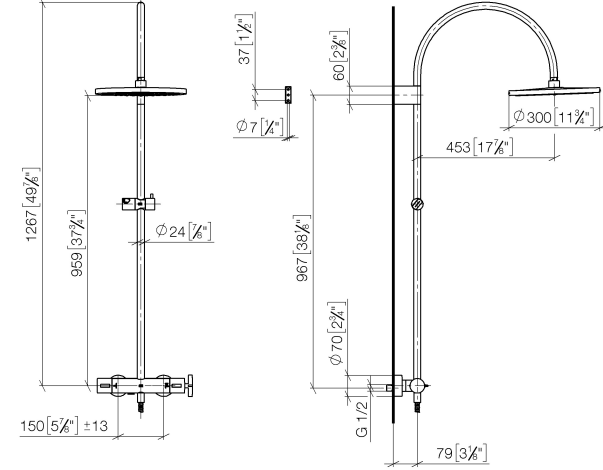
This article does not include a hand shower!
Intrinsic protection against back flow.

| | | |
|---|--------------------------------|---------------|
|  | Brushed Champagne (22kt Gold) | 34 460 809-46 |
|  | Chrome | 34 460 809-00 |
|  | Brushed Platinum | 34 460 809-06 |
|  | Platinum | 34 460 809-08 |
|  | Dark Chrome | 34 460 809-19 |
|  | Brushed Durabronze (23kt Gold) | 34 460 809-28 |
|  | Brushed Bronze | 34 460 809-42 |
|  | Champagne (22kt Gold) | 34 460 809-47 |
|  | Brushed Dark Platinum | 34 460 809-99 |

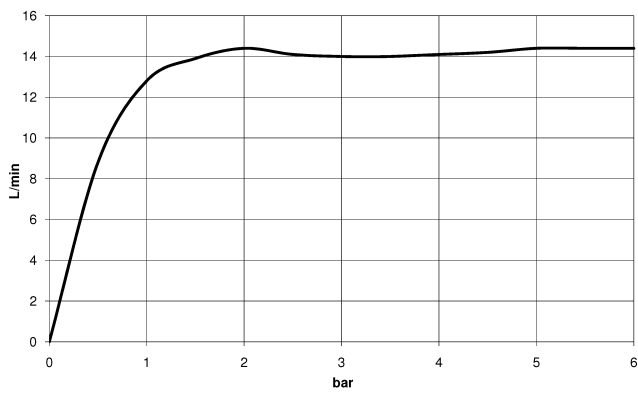
34 460 809

mm [inches]

1:10



Flow rate chart



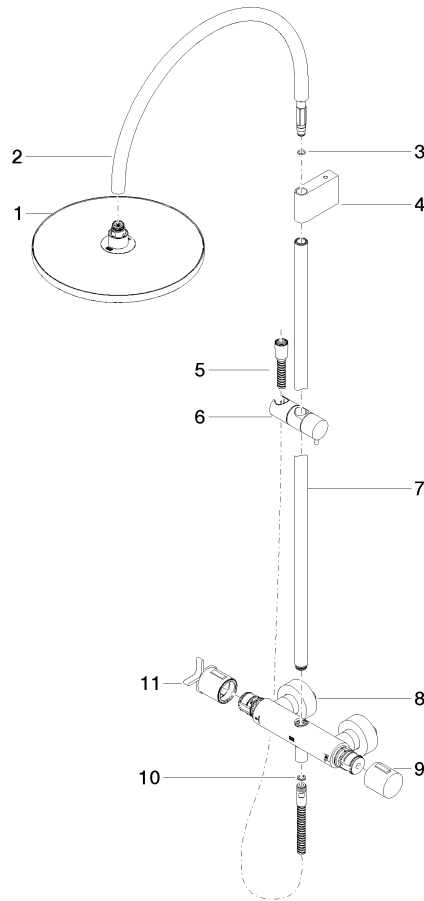
Certificates

Belgaqua_24-006- LGA_38736.
27_8.

VAIA Shower pipe with shower thermostat without hand shower - Brushed Champagne (22kt Gold)

VAIA

34 460 809
Parts for other
finishes can be found
here: [Chrome](#)



Spare parts list

| No. | Item Number | Name | Quantity used | Delivery time |
|-----|--------------------|---|---------------|---------------|
| 1 | 04 12 05 091 00-46 | shower | 1 | 30 |
| 2 | 04 28 22 346 00-46 | pipe | 1 | 60 |
| 3 | 09 14 10 008 90 | seal | 1 | 2 |
| 4 | 90 17 11 150 00-46 | holder | 1 | 30 |
| 5 | 28 322 970-46 | Metal shower hose 1/2" x 3/8" x 1750 mm - Brushed Champagne (22kt Gold) | 1 | 30 |
| 6 | 12 570 970-46 | Slide unit - Brushed Champagne (22kt Gold) | 1 | 30 |
| 7 | 90 28 22 349 00-46 | pipe | 1 | 30 |
| 8 | 04 17 01 250 00-46 | connection | 1 | 60 |
| 9 | 90 17 33 015 00-46 | handle | 1 | 30 |
| 10 | 90 14 20 026 00 90 | seal | 1 | 2 |
| 11 | 90 17 33 030 00-46 | handle | 1 | 30 |