



Concealed thermostat with built-in isolators -

35 428 970 90



- pre-seal
- lead-free, dezincification resistant
- 2x back flow preventer
- 3x outlet G 1/2"
- 2x female thread 1/2" connections
- dust cover
- anti-water packing
- sound and thermal insulation
- gauge 70 mm
- suitable for xGRID (when using installation track + 12 mm recess depth)
- WRAS 1906098

Can only be combined with exposed trim parts 36
427 SSS-FF

Recommended miscellaneous



Drybox Concealed thermostat - 39 426 970 90
● Overflow is part of the scope of delivery.

Recommended miscellaneous



xGRID Attachment set for integrating in the dry wall construction - 12 340 970 90

Required miscellaneous



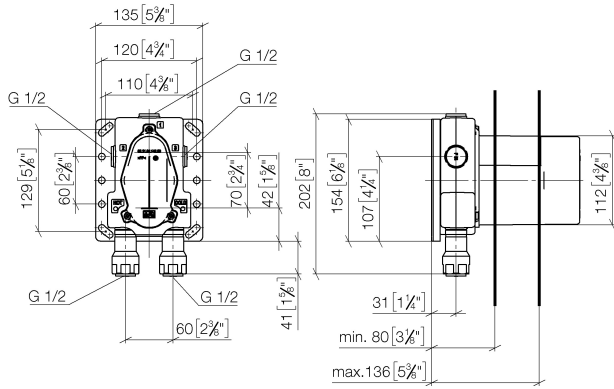
xGRID Installation track 555 mm - 12 360 970 90



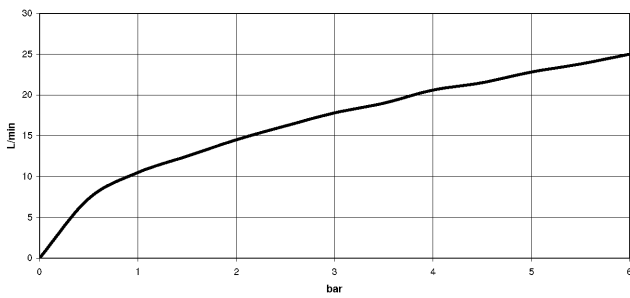
Concealed thermostat with built-in isolators -

35 428 970 90

mm [inches]



Flow rate chart



Codes & Standards

EN 1111

EN 1717

Scottish Water
Byelaws

UK Water Supply
Regulations



Concealed thermostat with built-in isolators -

35 428 970 90

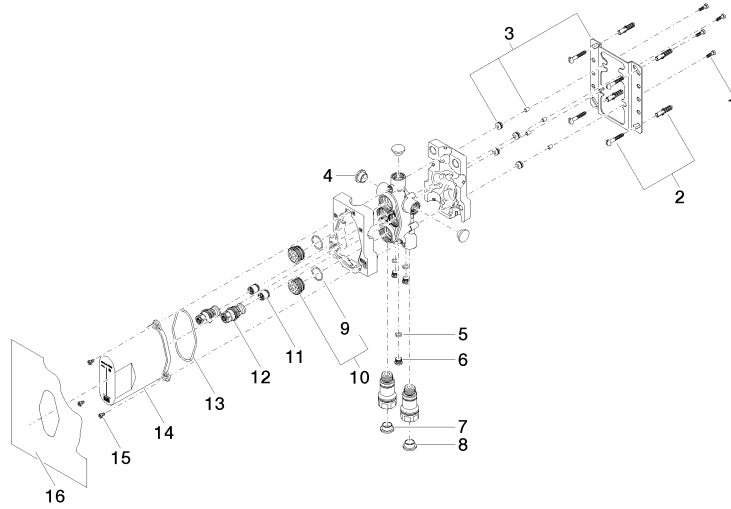
Certificates

WRAS_1906 Belgaqua_22_279_2 DVGW_DW-
6512DN0

Concealed thermostat with built-in isolators -

35 428 970 90

Product version from 3/13/2017





Concealed thermostat with built-in isolators -

35 428 970 90

Spare parts list

Product version from 3/13/2017

No.	Item Number	Name	Quantity used	Delivery time
	09 30 30 171 90	screw	33	2