



xTOOL Concealed thermostat module with 3 valves -

35 534 970 90



- red brass, lead-free
- 2x back flow preventer
- 2x female thread 3/4" connections
- 1x female thread 3/4" outlet for additional valves
- 3x female thread 3/4" outlet
- 4x dust cover
- 4x anti-water packing
- soundproofing
- gauge 120 mm
- suitable for xGRID (when using installation track + 12 mm recess depth)
- WRAS 2011026

Recommended miscellaneous

Extension 28 mm -

12 177 970 90



Recommended miscellaneous

Extension 46 mm -

12 178 970 90



Recommended miscellaneous

Leak protection 3/4" -

12 012 970 90

- This article is needed 2x.



Recommended miscellaneous

xGRID Attachment set for integrating in the dry wall construction -

12 340 970 90



Required miscellaneous

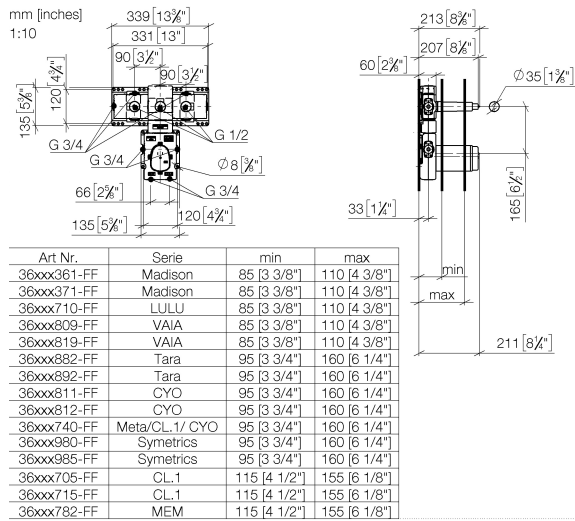
xGRID Installation track 555 mm - 12 360 970 90





xTOOL Concealed thermostat module with 3 valves -

35 534 970 90



Codes & Standards

EN 1111

EN 1717

Scottish Water
Byelaws

UK Water Supply
Regulations

XP P 41-280

Certificates

ACS_21 ACC LY

Belgaqua_21-031-2 DVGW_DW-
6512DN0

WRAS_2011

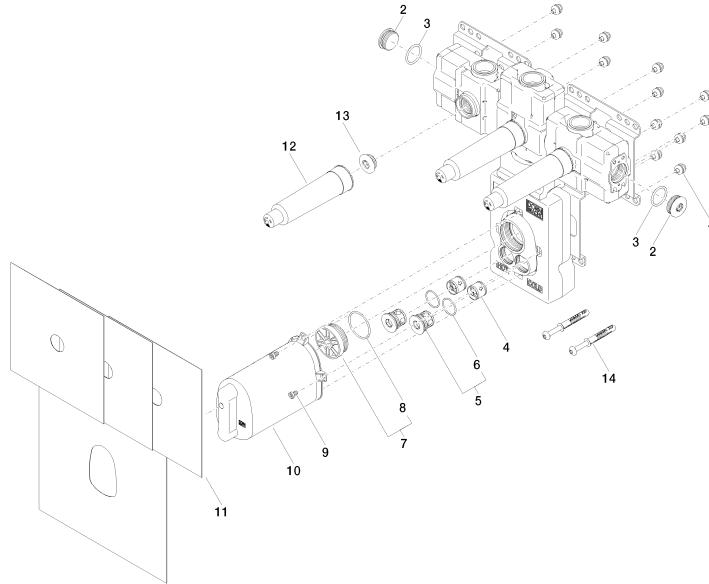


xTOOL Concealed thermostat module with 3 valves -

35 534 970 90

Product version up to 11/25/2021

Product version from 1/1/2022





xTOOL Concealed thermostat module with 3 valves -

35 534 970 90

Spare parts list

Product version up to 11/25/2021

Product version from 1/1/2022

No.	Item Number	Name	Quantity used	Delivery time
	90 23 01 091 00 90	set	43	2