



eSET Touchfree Basin mixer with temperature setting for combining with wall-mounted fittings -

35 741 970 90



- lead-free
- 2x male thread 1/2" connection
- 2x back flow preventer
- 2x integrated supply stop
- concealed installation
- min. recess depth 90 mm
- max. recess depth 125 mm
- WRAS 1906116

Can be combined with spouts from the Vaia, Lissé, CL.1, IMO, Tara., Tara Logic, Meta.02, Deque, Supernova, Symetrics, LULU and MEM series

Cannot be combined with spouts with a pull-rod pop-up waste.

Please combine with item no. 10 126 970-FF

Other series and finishes on request (x-TRA SERVICE)

ATTENTION: Separate terms and conditions for electronic articles are applicable.

Recommended miscellaneous

Leak protection 1/2" -

12 010 970 90

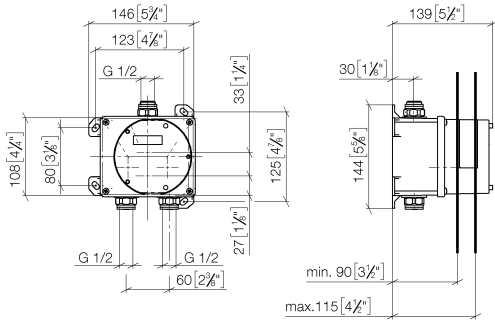
- This article is needed 2x.





eSET Touchfree Basin mixer with temperature setting for combining with wall-mounted fittings -

35 741 970 90
mm [inches]



Codes & Standards

DIN 4109

EN 1717

ISO 3822

Scottish Water
Byelaws

UK Water Supply
Regulations

Ü-Zeichen

Certificates

WRAS_1906

LGA_29

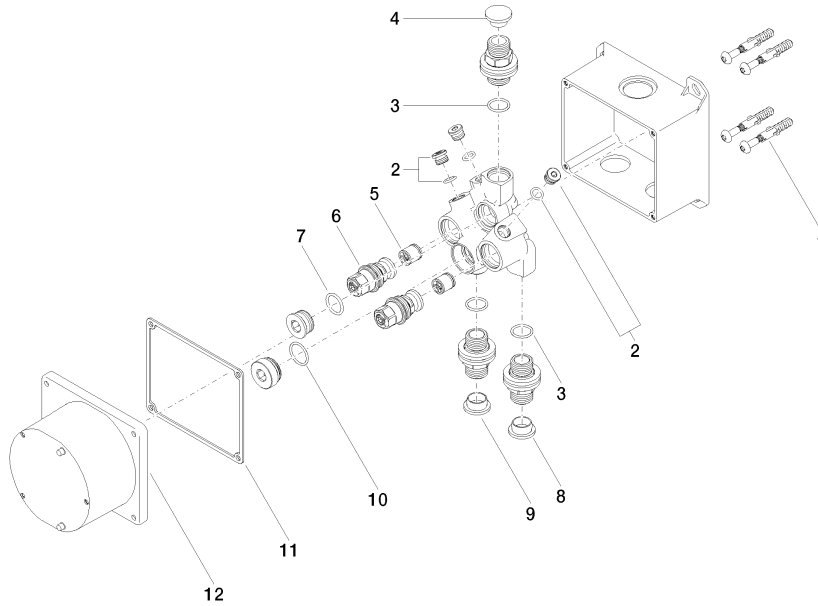
Belgaqua_23-210-2



eSET Touchfree Basin mixer with temperature setting for combining with wall-mounted fittings -

35 741 970 90

Product version from 7/3/2017





eSET Touchfree Basin mixer with temperature setting for combining with wall-mounted fittings -

35 741 970 90

Spare parts list

Product version from 7/3/2017

No.	Item Number	Name	Quantity used	Delivery time
	04 30 31 024 01 90	fixing set	19	2