








SERIES-VARIOUS AQUAHALO Concealed ceiling installation box - Brushed Champagne (22kt Gold)

35 750 970



- concealed rough parts
- Rain panel with 3 different flow modes
- AQUACIRCLE RAIN: Circular rain curtain, max. flow rate 14 l/min (at 3 bar)
- TEMPEST RAIN: Natural rain, max. flow rate 9 l/min (at 3 bar)
- DIAMOND RAIN: Ring of rain, max. flow rate 6.8 l/min (at 3 bar)
- Ceiling installation enclosure 605 x 605 x 95 mm
- Weight: 10 kg
- Supply pipe 7 m
- Input 100-240V AC 50-60Hz
- Output 12V DC SELV / Class II
- min. recess depth 110 mm
- max. recess depth 150 mm
- For simultaneous control of the jet types, we recommend the xTool thermostat module
- Provide DIN VDE 0100, Part 701 compliant safety zone 2
- Not suitable for use in a steam room.

includes light bulbs with a Class G energy efficiency

| | | |
|--|-------------------------------|---------------|
|  | Brushed Champagne (22kt Gold) | 35 750 970-46 |
|  | Chrome | 35 750 970-00 |
|  | Brushed Platinum | 35 750 970-06 |
|  | Matte Black | 35 750 970-33 |
|  | Champagne (22kt Gold) | 35 750 970-47 |

Recommended miscellaneous



Leak protection 1/2" -

12 010 970 90

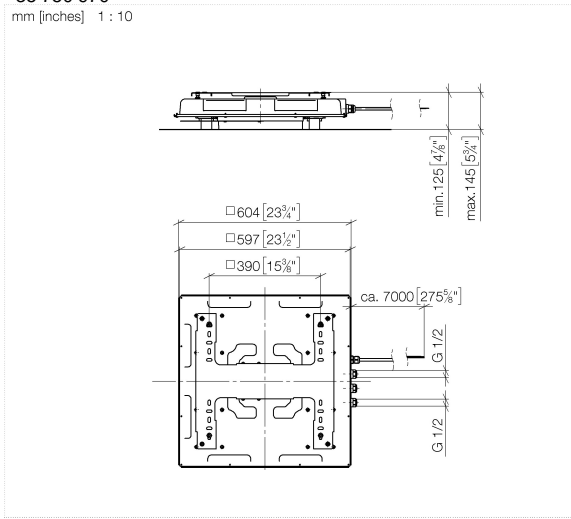
- This article is needed 3x.



SERIES-VARIOUS AQUAHALO Concealed ceiling installation box - Brushed Champagne (22kt Gold)

35 750 970

mm [inches] 1 : 10

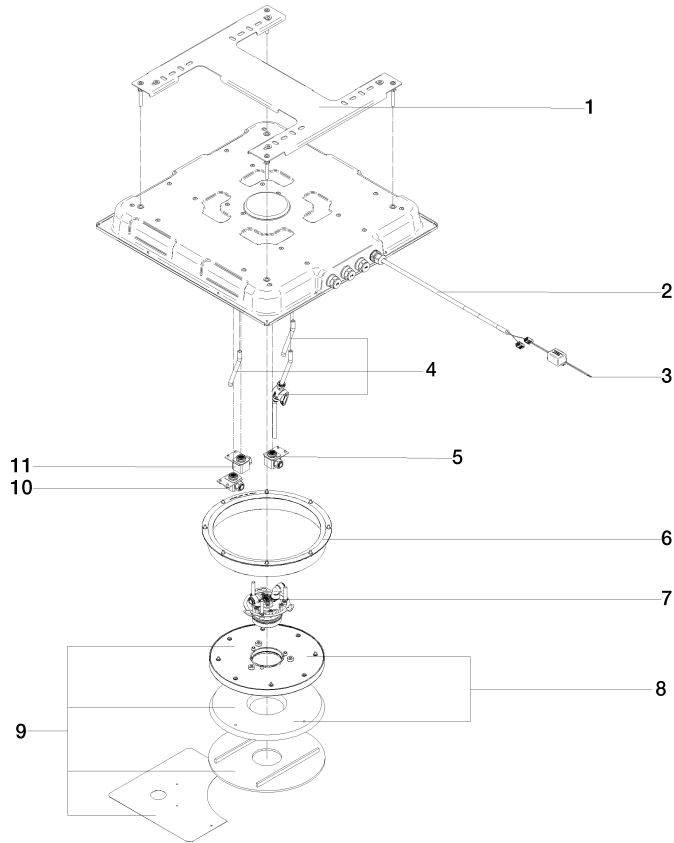




SERIES-VARIOUS AQUAHALO Concealed ceiling installation box - Brushed Champagne (22kt Gold)

35 750 970

Product version from 4/1/2024





SERIES-VARIOUS AQUAHALO Concealed ceiling installation box - Brushed
Champagne (22kt Gold)

35 750 970

Spare parts list

Product version from 4/1/2024

| No. | Item Number | Name | Quantity used | Delivery time |
|-----|--------------------|--------|---------------|---------------|
| | 90 17 20 287 02 90 | flange | 11 | 60 |