



## Concealed floor mounting -

---

35 944 970 90



- stainless steel
- 2x 1/2" connection angle
- gauge 150 mm
- 2x anti-water packing
- 2x dust cover
- soundproofing
- WRAS 1911027

## Recommended miscellaneous

---



**Leak protection 1/2" -**  
● This article is needed 2x.

12 010 970 90

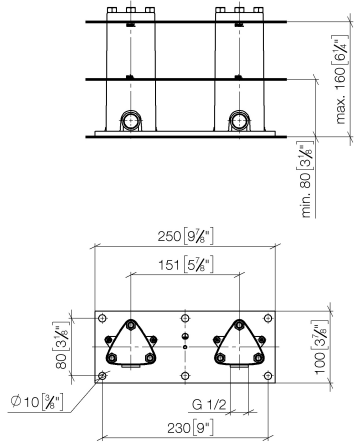


## Concealed floor mounting -

---

35 944 970 90

mm [inches]



## Codes & Standards

---

Scottish Water  
Byelaws

UK Water Supply  
Regulations

## Certificates

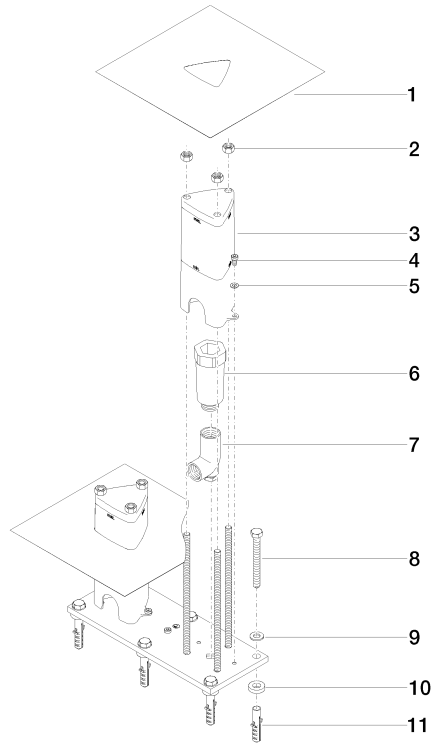
---

WRAS\_1911

### Concealed floor mounting -

---

35 944 970 90





## Concealed floor mounting -

---

35 944 970 90

### Spare parts list

No.	Item Number	Name	Quantity used	Delivery time
	09 14 03 110 90	seal	45	2