

Concealed single-lever mixer with cover plate with integrated shower connection - Brushed Dark Platinum

36 046 970 Product version from 4/1/2024



- cover plate 80 x 80 mm
- Intrinsic protection against back flow.**

Intrinsic protection against back flow.

	Brushed Dark Platinum	36 046 970-99
	Chrome	36 046 970-00
	Brushed Platinum	36 046 970-06
	Platinum	36 046 970-08
	Dark Chrome	36 046 970-19
	Brushed Light Gold	36 046 970-27
	Brushed Durabronze (23kt Gold)	36 046 970-28
	Matte Black	36 046 970-33
	Brushed Champagne (22kt Gold)	36 046 970-46
	Champagne (22kt Gold)	36 046 970-47
	Brushed Chrome	36 046 970-93

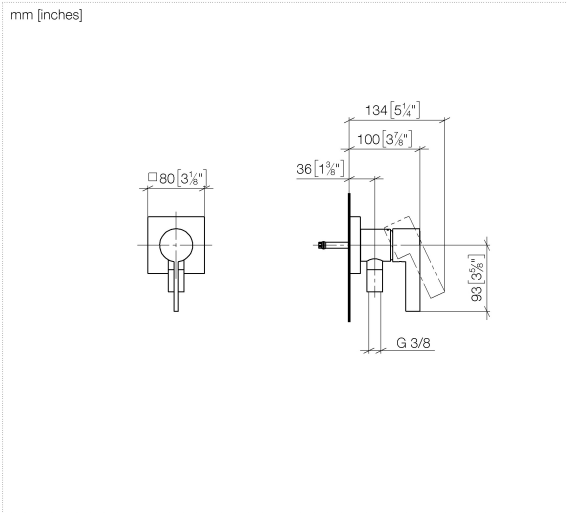
Required miscellaneous



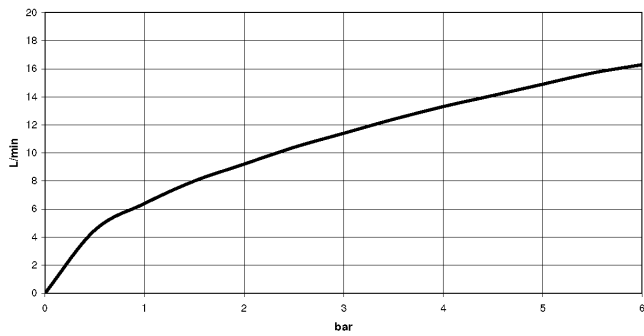
- Concealed wall mounting -** 35 050 970 90
- min. recess depth mm
 - max. recess depth mm

Concealed single-lever mixer with cover plate with integrated shower connection - Brushed Dark Platinum

36 046 970 Product version from 4/1/2024



Flow rate chart



Codes & Standards

DIN 4109

ISO 3822

Ü-Zeichen



Concealed single-lever mixer with cover plate with integrated shower connection - Brushed Dark Platinum

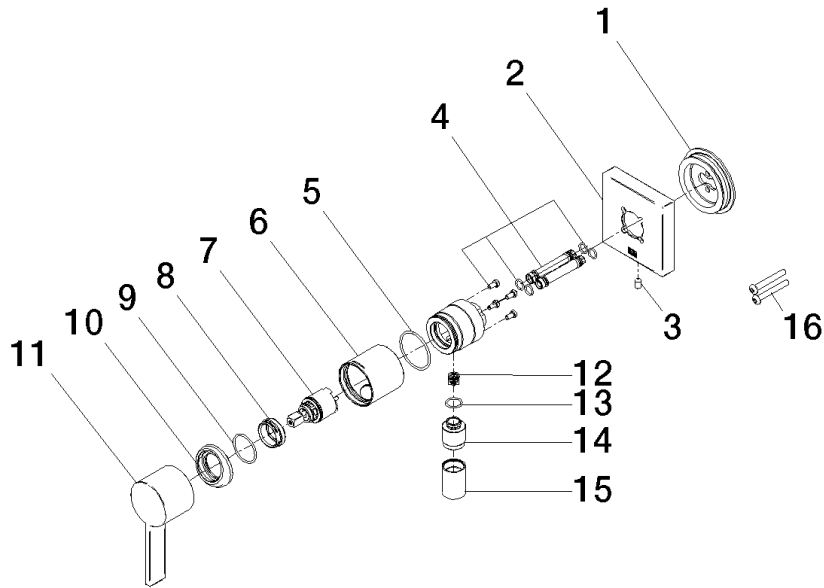
36 046 970 Product version from 4/1/2024

Certificates

LGA_38

Concealed single-lever mixer with cover plate with integrated shower connection - Brushed Dark Platinum

36 046 970 Product version from 4/1/2024



Spare parts list

No.	Item Number	Name	Quantity used	Delivery time
1	90 30 11 232 00 90	disc	1	2
2	90 27 97 046 00-99	rosette	1	20
3	09 31 11 144 90	pin	1	2
4	90 24 01 046 00 90	connection	2	2
5	09 14 10 111 90	seal	1	2
6	90 18 40 320 00-99	sleeve	1	-
Spare part can no longer be ordered, please order the replacement item				
7	90 15 05 044 00 90	cartridge	1	2
8	09 24 04 266 90	nut	1	2
9	09 14 10 120 90	seal	1	2
10	09 28 30 041-99	cover	1	20
11	09 20 97 063-00	handle	1	10
12	09 23 01 131 90	back-flow preventer	1	2
13	90 14 10 021 00 90	seal	1	2
14	09 24 03 281-99	nipple	1	20
15	90 21 02 069 00-99	cover	1	20
16	90 30 30 229 00 90	screw	2	2