

Concealed single-lever mixer with cover plate - Light Gold

36 060 660 Product version from 6/29/2020



- cover plate Ø 78 mm
- WRAS

	Light Gold	36 060 660-26
	Chrome	36 060 660-00
	Brushed Platinum	36 060 660-06
	Platinum	36 060 660-08
	Dark Chrome	36 060 660-19
	Brushed Light Gold	36 060 660-27
	Brushed Durabrass (23kt Gold)	36 060 660-28
	Matte Black	36 060 660-33
	Brushed Bronze	36 060 660-42
	Brushed Champagne (22kt Gold)	36 060 660-46
	Champagne (22kt Gold)	36 060 660-47
	Brushed Chrome	36 060 660-93
	Brushed Dark Platinum	36 060 660-99

Required miscellaneous



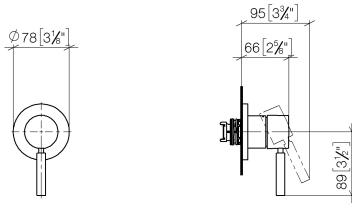
Concealed wall-mounted single-lever mixer - 35 860 970 90

- min. recess depth mm
- max. recess depth mm

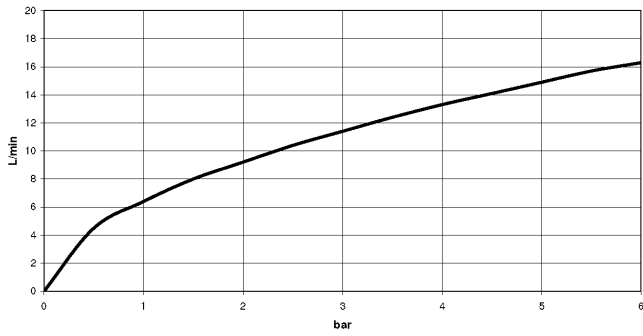
Concealed single-lever mixer with cover plate - Light Gold

36 060 660 Product version from 6/29/2020

mm [inches]



Flow rate chart



Codes & Standards

DIN 4109

ISO 3822

Ü-Zeichen



Concealed single-lever mixer with cover plate - Light Gold

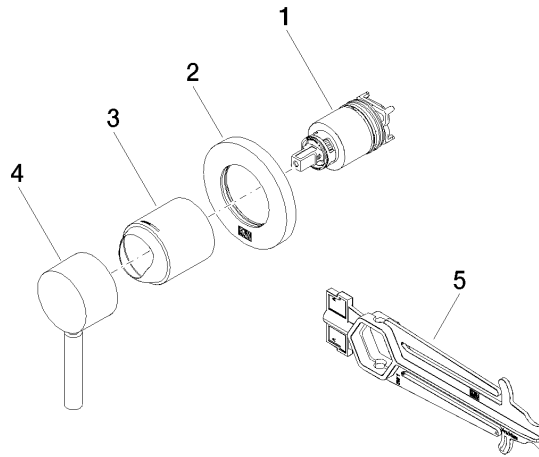
36 060 660 Product version from 6/29/2020

Certificates

LGA_29

Concealed single-lever mixer with cover plate - Light Gold

36 060 660 Product version from 6/29/2020



Spare parts list

No.	Item Number	Name	Quantity used	Delivery time
1	90 15 05 064 01 90	cartridge	1	2
2	90 27 66 009 00-26	rosette	1	30
3	09 11 02 293-26	cover	1	60
4	90 20 66 006 00-26	handle	1	30
5	90 30 09 064 00 90	key	1	2