

VAIA Concealed single-lever mixer with cover plate - Brushed Champagne (22kt Gold)

36 060 809

- cover plate 80 x 80 mm



| | | |
|--|--------------------------------|---------------|
|  | Brushed Champagne (22kt Gold) | 36 060 809-46 |
|  | Chrome | 36 060 809-00 |
|  | Brushed Platinum | 36 060 809-06 |
|  | Platinum | 36 060 809-08 |
|  | Dark Chrome | 36 060 809-19 |
|  | Brushed Durabronze (23kt Gold) | 36 060 809-28 |
|  | Brushed Bronze | 36 060 809-42 |
|  | Champagne (22kt Gold) | 36 060 809-47 |
|  | Brushed Dark Platinum | 36 060 809-99 |

Required miscellaneous

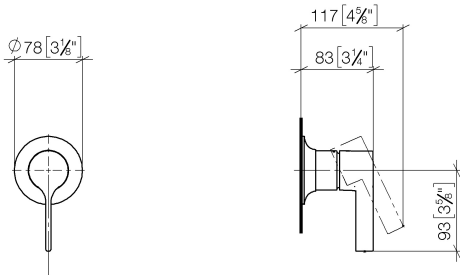


Concealed wall-mounted single-lever mixer - 35 860 970 90

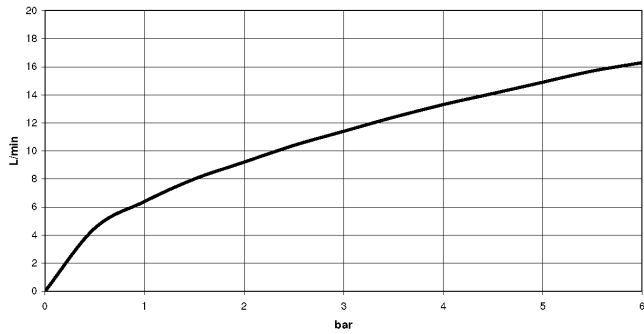
- max. recess depth mm
- min. recess depth mm

**VAIA Concealed single-lever mixer with cover plate - Brushed Champagne
(22kt Gold)**

36 060 809
mm [inches]



Flow rate chart



Codes & Standards

DIN 4109

ISO 3822

Ü-Zeichen



VAIA Concealed single-lever mixer with cover plate - Brushed Champagne
(22kt Gold)

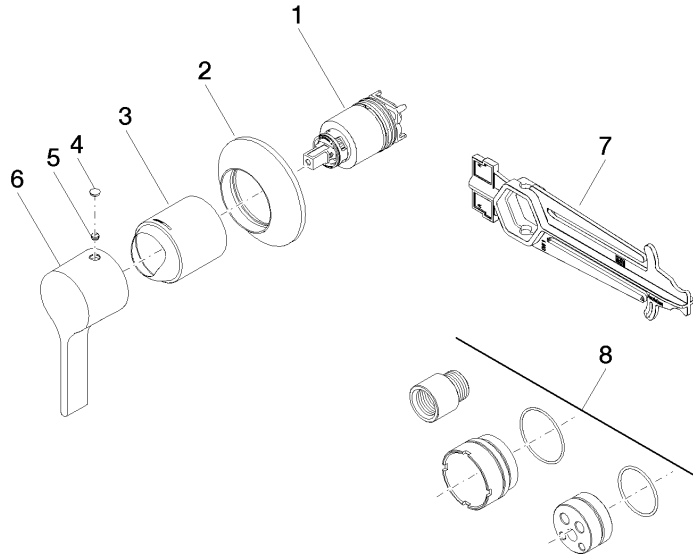
36 060 809

Certificates

LGA_29

**VAIA Concealed single-lever mixer with cover plate - Brushed Champagne
(22kt Gold)**

36 060 809



Spare parts list

| No. | Item Number | Name | Quantity used | Delivery time |
|-----|--------------------|-------------------|---------------|---------------|
| 1 | 90 15 05 064 01 90 | cartridge | 1 | 2 |
| 2 | 90 27 80 032 00-46 | rosette | 1 | 30 |
| 3 | 09 11 02 293-46 | cover | 1 | 30 |
| 4 | 90 31 20 087 00-46 | plug | 1 | 30 |
| 5 | 90 31 11 063 00 90 | pin | 1 | 2 |
| 6 | 09 20 80 021-46 | handle | 1 | 30 |
| 7 | 90 30 09 064 00 90 | key | 1 | 2 |
| 8 | 12 869 970 90 | Extension 20 mm - | 1 | 2 |