

Concealed single-lever mixer with integrated shower connection with shower set without hand shower - Matte Black

IMO

36 111 970



- metal shower hose 1750mm with integrated anti-twist protection
- slide bar
- Pipe diameter 18 mm
- WRAS 2011027

This article does not include a hand shower!
Intrinsic protection against back flow.

This article does not include a hand shower!

Intrinsic protection against back flow.

Fits: IMO, LULU, MADISON, MEM, TARA, CL.1, LISSÉ, VAIA, META, CYO

| | | |
|--|-------------------------------|---------------|
| | Matte Black | 36 111 970-33 |
| | Chrome | 36 111 970-00 |
| | Brushed Platinum | 36 111 970-06 |
| | Platinum | 36 111 970-08 |
| | Dark Chrome | 36 111 970-19 |
| | Brushed Light Gold | 36 111 970-27 |
| | Brushed Durabrass (23kt Gold) | 36 111 970-28 |
| | Brushed Bronze | 36 111 970-42 |
| | Brushed Champagne (22kt Gold) | 36 111 970-46 |
| | Champagne (22kt Gold) | 36 111 970-47 |
| | Brushed Chrome | 36 111 970-93 |
| | Brushed Dark Platinum | 36 111 970-99 |

Required miscellaneous

| | | |
|--|-------------------------------------------------------------------------------------------|---------------|
| | Concealed wall mounting - •max. recess depth 105 mm •min. recess depth 80 mm | 35 050 970 90 |
|--|-------------------------------------------------------------------------------------------|---------------|

Required miscellaneous

| | | |
|--|----------------------------------|---------------|
| | Hand shower - Matte Black | 28 017 979-33 |
|--|----------------------------------|---------------|

Required miscellaneous

| | | |
|--|----------------------------------|---------------|
| | Hand shower - Matte Black | 28 012 979-33 |
|--|----------------------------------|---------------|

Required miscellaneous

| | | |
|--|----------------------------------|---------------|
| | Hand shower - Matte Black | 28 018 979-33 |
|--|----------------------------------|---------------|

Required miscellaneous

| | | |
|--|---------------------------------------------|-----------------------|
| | Hand shower FlowReduce - Matte Black | 28 012 979-33 0010 |
|--|---------------------------------------------|-----------------------|

Required miscellaneous

| | | |
|--|----------------------------------|---------------|
| | Hand shower - Matte Black | 28 016 979-33 |
|--|----------------------------------|---------------|

Required miscellaneous

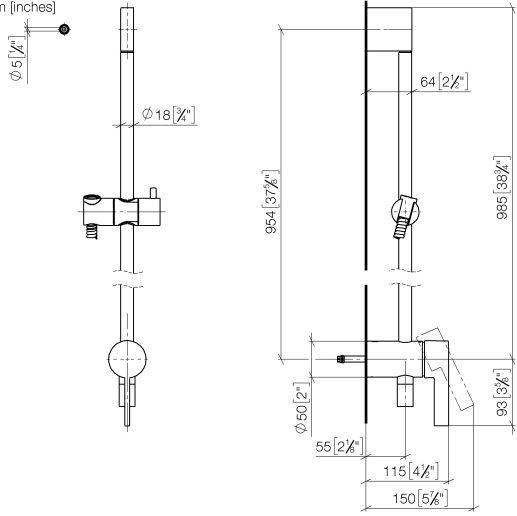
| | | |
|--|---------------------------------------------|-----------------------|
| | Hand shower FlowReduce - Matte Black | 28 016 979-33 0010 |
|--|---------------------------------------------|-----------------------|

Required miscellaneous

| | | |
|--|---------------------------------------------|-----------------------|
| | Hand shower FlowReduce - Matte Black | 28 018 979-33 0010 |
|--|---------------------------------------------|-----------------------|

36 111 970

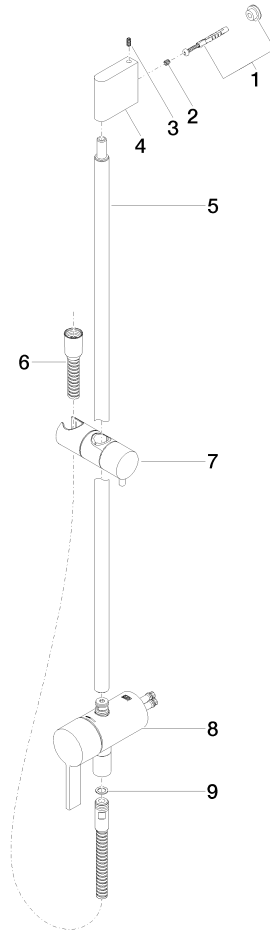
mm [Inches]



Certificates

Belgaqua_21-025- WRAS_2011027. LGA_29928.
27_1.

36 111 970



Spare parts list

| No. | Item Number | Name | Quantity used | Delivery time |
|-----|--------------------|-------------------------------------------------------|---------------|---------------|
| 1 | 05 17 20 726 02 90 | fixing set | 1 | 2 |
| 2 | 09 31 11 049 90 | pin | 2 | 2 |
| 3 | 04 31 11 113 00 90 | pin | 2 | 2 |
| 4 | 08 17 97 054-33 | holder | 1 | 30 |
| 5 | 90 28 22 782 00-33 | pipe | 1 | 30 |
| 6 | 28 322 970-33 | Metal shower hose 1/2" x 3/8" x 1750 mm - Matte Black | 1 | 2 |
| 7 | 12 580 970-33 | Slide unit - Matte Black | 1 | 10 |
| 8 | 90 19 97 002 00-33 | connection | 1 | 30 |
| 9 | 90 14 20 026 00 90 | seal | 1 | 2 |