

## Concealed single-lever mixer with diverter - Matte White

36 120 660 Product version from 2/20/2020



- automatic diverter
- cover plate Ø 150 mm
- WRAS

	Matte White	36 120 660-10
	Chrome	36 120 660-00
	Brushed Platinum	36 120 660-06
	Platinum	36 120 660-08
	Dark Chrome	36 120 660-19
	Light Gold	36 120 660-26
	Brushed Light Gold	36 120 660-27
	Brushed Durabronze (23kt Gold)	36 120 660-28
	Matte Black	36 120 660-33
	Brushed Bronze	36 120 660-42
	Brushed Champagne (22kt Gold)	36 120 660-46
	Champagne (22kt Gold)	36 120 660-47
	Brushed Chrome	36 120 660-93
	Brushed Dark Platinum	36 120 660-99

### Required miscellaneous



**Concealed single-lever mixer with backflow preventor -** 35 021 970 90  
 •max. recess depth mm  
 •min. recess depth mm

### Recommended miscellaneous



**xGRID Attachment set for integrating in the dry wall construction -** 12 340 970 90

### Required miscellaneous



**Concealed single-lever mixer -** 35 020 970 90  
 •max. recess depth mm  
 •min. recess depth mm

### Required miscellaneous

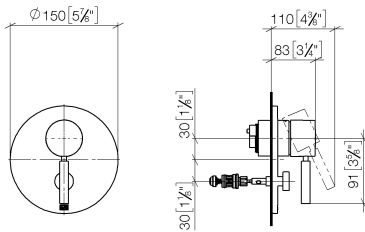


**xGRID Installation track 555 mm -** 12 360 970 90

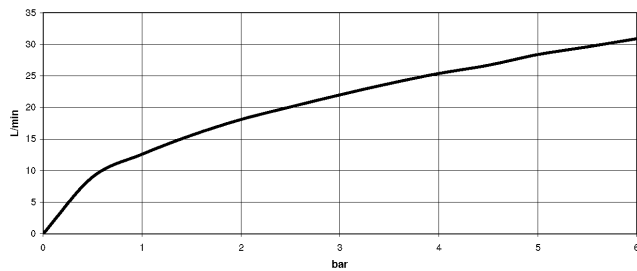
## Concealed single-lever mixer with diverter - Matte White

36 120 660 Product version from 2/20/2020

mm [inches]



### Flow rate chart



### Codes & Standards

DIN 4109

EN 817

ISO 3822

Scottish Water  
Byelaws

UK Water Supply  
Regulations

Ü-Zeichen



## Concealed single-lever mixer with diverter - Matte White

---

36 120 660 Product version from 2/20/2020

### Certificates

---

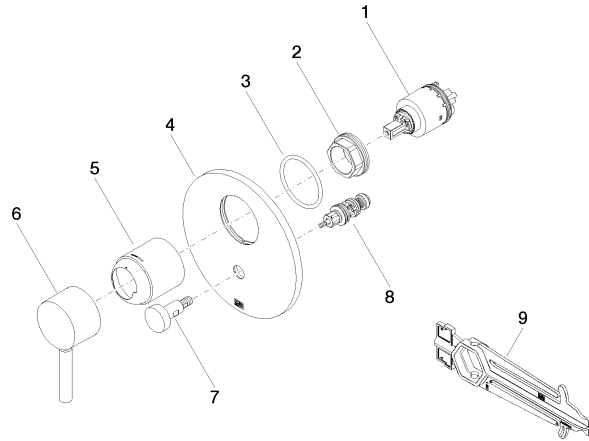
DVGW\_DW-  
6512DN0

LGA\_19

WRAS\_2207

**Concealed single-lever mixer with diverter - Matte White**

36 120 660 Product version from 2/20/2020



**Spare parts list**

No.	Item Number	Name	Quantity used	Delivery time
1	90 15 05 039 00 90	cartridge	1	2
2	09 24 04 448 90	nut	1	2
3	09 14 10 084 90	seal	1	2
4	09 11 02 261-10	plate	1	60
5	09 11 02 260-10	sleeve	1	60
6	90 20 66 004 00-10	handle	1	60
7	90 31 09 139 00-10	pull-rod	1	60
8	90 21 34 081 00 90	diverter	1	2
9	90 30 09 064 00 90	key	1	2