

Concealed single-lever mixer with diverter - Brushed Platinum

36 120 670 Product version from 2/20/2020



- automatic diverter
- cover plate 150 x 90 mm
- WRAS

	Brushed Platinum	36 120 670-06
	Chrome	36 120 670-00
	Platinum	36 120 670-08
	Dark Chrome	36 120 670-19
	Brushed Light Gold	36 120 670-27
	Brushed Durabronze (23kt Gold)	36 120 670-28
	Matte Black	36 120 670-33
	Brushed Champagne (22kt Gold)	36 120 670-46
	Champagne (22kt Gold)	36 120 670-47
	Brushed Chrome	36 120 670-93
	Brushed Dark Platinum	36 120 670-99

Required miscellaneous



Concealed single-lever mixer with backflow preventor - 35 021 970 90
 • max. recess depth mm
 • min. recess depth mm

Recommended miscellaneous



xGRID Attachment set for integrating in the dry wall construction - 12 340 970 90

Required miscellaneous



Concealed single-lever mixer - 35 020 970 90
 • max. recess depth mm
 • min. recess depth mm

Required miscellaneous

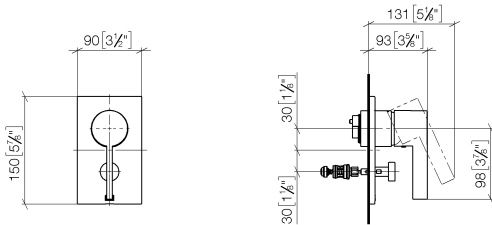


xGRID Installation track 555 mm - 12 360 970 90

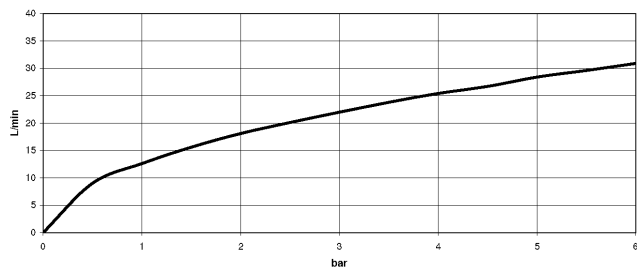
Concealed single-lever mixer with diverter - Brushed Platinum

36 120 670 Product version from 2/20/2020

mm [inches]



Flow rate chart



Codes & Standards

DIN 4109

ISO 3822

Scottish Water
Byelaws

UK Water Supply
Regulations

Ü-Zeichen



Concealed single-lever mixer with diverter - Brushed Platinum

36 120 670 Product version from 2/20/2020

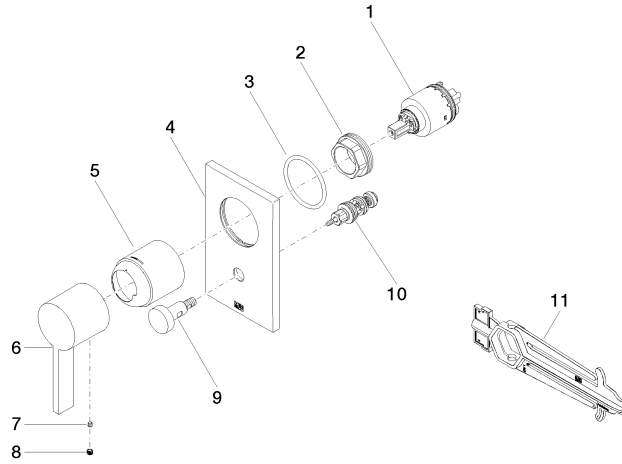
Certificates

LGA_19

WRAS_2207

Concealed single-lever mixer with diverter - Brushed Platinum

36 120 670 Product version from 2/20/2020



Spare parts list

No.	Item Number	Name	Quantity used	Delivery time
1	90 15 05 039 00 90	cartridge	1	2
2	09 24 04 448 90	nut	1	2
3	09 14 10 084 90	seal	1	2
4	09 11 02 258-06	plate	1	10
5	09 11 02 260-06	sleeve	1	10
6	09 20 67 007-06	handle	1	10
7	09 31 11 099 90	pin	1	2
8	90 31 20 109 00 90	plug	1	2
9	90 31 09 139 00-06	pull-rod	1	10
10	90 21 34 081 00 90	diverter	1	2
11	90 30 09 064 00 90	key	1	2