

VAIA Concealed single-lever mixer with diverter - Brushed Durabronze (23kt Gold)

36 120 809 Product version from 2/20/2020



- automatic diverter
- cover plate Ø 150 mm
- WRAS

	Brushed Durabronze (23kt Gold)	36 120 809-28
	Chrome	36 120 809-00
	Brushed Platinum	36 120 809-06
	Platinum	36 120 809-08
	Dark Chrome	36 120 809-19
	Brushed Bronze	36 120 809-42
	Brushed Champagne (22kt Gold)	36 120 809-46
	Champagne (22kt Gold)	36 120 809-47
	Brushed Dark Platinum	36 120 809-99

Required miscellaneous



Concealed single-lever mixer with backflow preventor - 35 021 970 90
 • max. recess depth mm
 • min. recess depth mm

Recommended miscellaneous



xGRID Attachment set for integrating in the dry wall construction - 12 340 970 90

Required miscellaneous



Concealed single-lever mixer - 35 020 970 90
 • max. recess depth mm
 • min. recess depth mm

Required miscellaneous

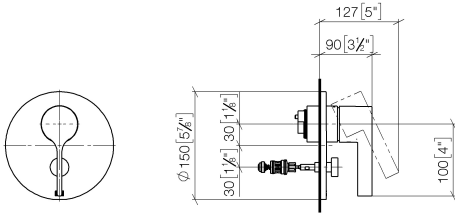


xGRID Installation track 555 mm - 12 360 970 90

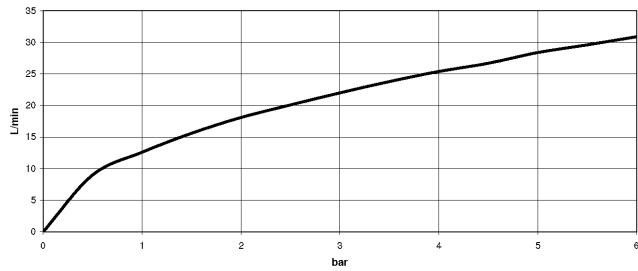


VAIA Concealed single-lever mixer with diverter - Brushed Durabronz (23kt Gold)

36 120 809 Product version from 2/20/2020
mm [inches]



Flow rate chart



Codes & Standards

DIN 4109

ISO 3822

Scottish Water
Byelaws

UK Water Supply
Regulations

Ü-Zeichen



VAIA Concealed single-lever mixer with diverter - Brushed Durabronze (23kt Gold)

36 120 809 Product version from 2/20/2020

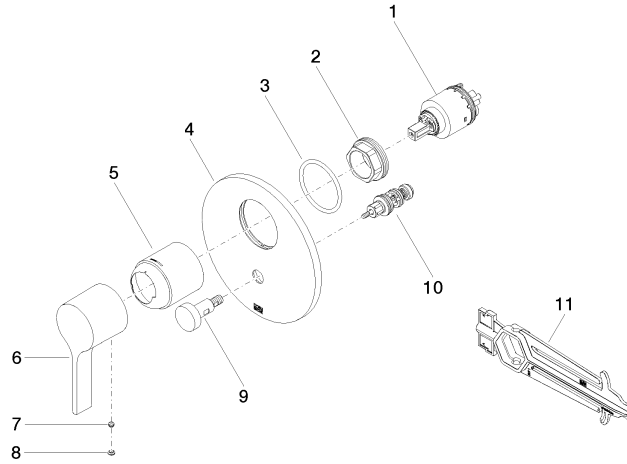
Certificates

LGA_19

WRAS_2207

VAIA Concealed single-lever mixer with diverter - Brushed Durabronz (23kt Gold)

36 120 809 Product version from 2/20/2020



Spare parts list

No.	Item Number	Name	Quantity used	Delivery time
1	90 15 05 039 00 90	cartridge	1	2
2	09 24 04 448 90	nut	1	2
3	09 14 10 084 90	seal	1	2
4	09 11 02 261-28	plate	1	20
5	09 11 02 260-28	sleeve	1	20
6	09 20 80 023-28	handle	1	20
7	90 31 11 063 00 90	pin	1	2
8	90 31 20 087 00-28	plug	1	20
9	90 31 09 139 00-28	pull-rod	1	20
10	90 21 34 081 00 90	diverter	1	2
11	90 30 09 064 00 90	key	1	2