

36 503 985



- cover plate 120 x 120 mm
- temperature control handle with safety limit stop at 38°C
- thermostat cartridge

Fits: IMO, MEM, CL.1, CYO

	Platinum	36 503 985-08
	Chrome	36 503 985-00
	Brushed Platinum	36 503 985-06
	Dark Chrome	36 503 985-19
	Brushed Light Gold	36 503 985-27
	Brushed Durabrass (23kt Gold)	36 503 985-28
	Matte Black	36 503 985-33
	Brushed Champagne (22kt Gold)	36 503 985-46
	Champagne (22kt Gold)	36 503 985-47
	Brushed Chrome	36 503 985-93
	Brushed Dark Platinum	36 503 985-99

**Required miscellaneous**



**xTOOL Concealed thermostat module without volume control -** 35 503 970 90  
 •max. recess depth 160 mm  
 •min. recess depth 95 mm

**Recommended miscellaneous**



**xGRID Attachment set for integrating in the dry wall construction -** 12 340 970 90

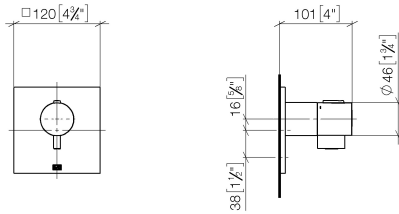
**Required miscellaneous**



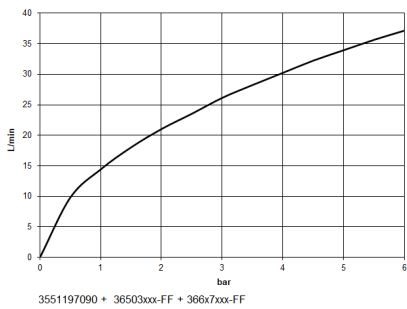
**xGRID Installation track 555 mm -** 12 360 970 90

36 503 985

mm [inches]



Flow rate chart



Certificates

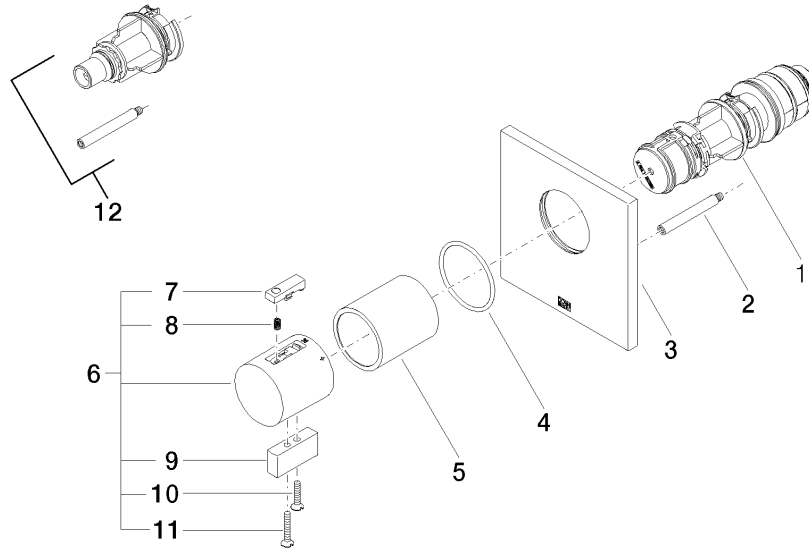
WRAS\_2011026.

DVGW\_DW-  
6512DN0706.

LGA\_29930.

LGA\_29932.

36 503 985



### Spare parts list

No.	Item Number	Name	Quantity used	Delivery time
1	90 15 02 063 00 90	cartridge	1	2
2	90 31 09 095 00 90	bar	1	2
3	09 11 02 196-08	cover	1	60
4	90 14 10 049 00 90	seal	1	2
5	90 21 02 112 00-08	sleeve	1	40
6	04 17 33 006 00-08	handle	1	60
7	90 21 33 011 00-13	handle	1	2
8	90 16 02 027 00 90	spring	1	2
9	09 20 33 006-08	handle	1	40
10	09 30 30 159-08	screw	1	40
11	09 30 30 160-08	screw	1	40
12	12 178 970 90	Extension 46 mm -	1	2