

WATER FAN horizontal Concealed body spray - Brushed Durabronze (23kt Gold)

IMO

36 512 979



- forceful flat water jet
- horizontal water jet
- cover plate 240 x 60 mm
- water jet adjustable
- 1/2" connection
- max. flow 10 l/min
- WRAS 2005003
- This product can help a building meet the requirements of Green Building Rating Systems, e.g. LEED®, BREEAM®, DGNB

Fits: IMO, LULU, MADISON, MEM, TARA, CL.1, LISSÉ, VAIA, META, CYO

	Brushed Durabronze (23kt Gold)	36 512 979-28
	Chrome	36 512 979-00
	Brushed Platinum	36 512 979-06
	Platinum	36 512 979-08
	Dark Chrome	36 512 979-19
	Light Gold	36 512 979-26
	Brushed Light Gold	36 512 979-27
	Matte Black	36 512 979-33
	Brushed Bronze	36 512 979-42
	Brushed Champagne (22kt Gold)	36 512 979-46
	Champagne (22kt Gold)	36 512 979-47
	Brushed Chrome	36 512 979-93
	Brushed Dark Platinum	36 512 979-99

Required miscellaneous

	Concealed wall installation box - 35 206 970 90
	• max. recess depth 173 mm
	• min. recess depth 100 mm

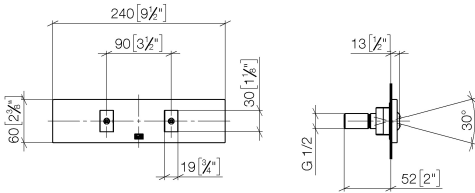
Recommended miscellaneous

	xGRID Attachment set for integrating in the dry wall construction - 12 340 970 90
--	--

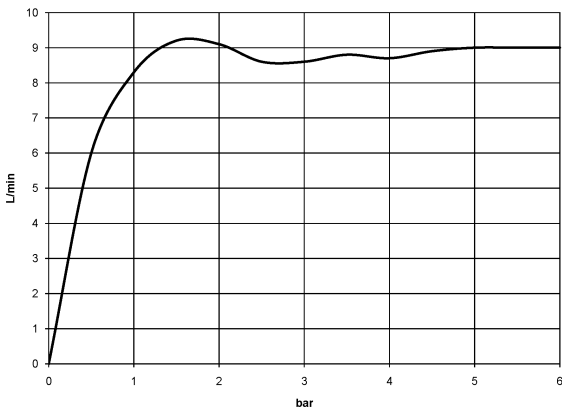
Required miscellaneous

	xGRID Installation track 555 mm - 12 360 970 90
--	--

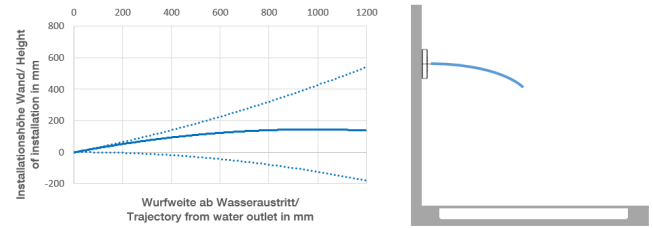
36 512 979
mm [inches]



Flow rate chart



Trajectory diagram



Codes & Standards

DIN 4109

ISO 3822

Scottish Water
Byelaws

UK Water Supply
Regulations

Ü-Zeichen



WATER FAN horizontal Concealed body spray - Brushed Durabronze (23kt Gold)

IMO

36 512 979
Certificates

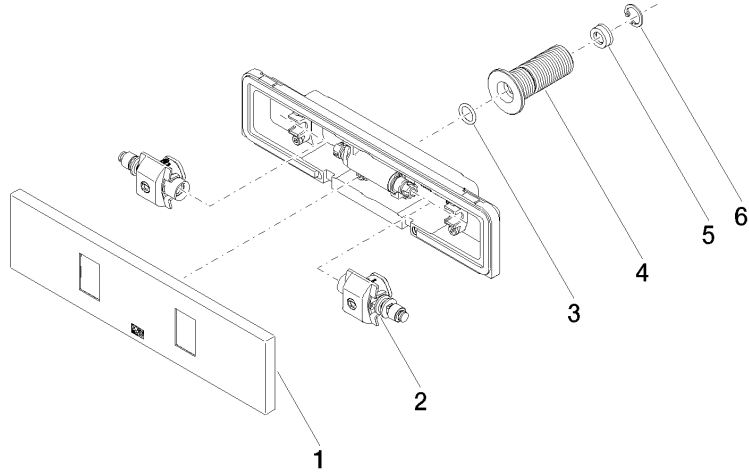
LGA_29

WRAS_2005

WATER FAN horizontal Concealed body spray - Brushed Durabronz (23kt Gold)

36 512 979

Product version from 4/1/2024





WATER FAN horizontal Concealed body spray - Brushed Durabronze (23kt Gold)

IMO

36 512 979

Spare parts list

Product version from 4/1/2024

No.	Item Number	Name	Quantity used	Delivery time
	90 27 99 002 00-28	insert	6	20