

36 514 979



- AQUAPRESSURE FLOW, max. flow rate 10 l/min (at 3 bar)
- water jet adjustable
- cover plate 120 x 60 mm
- 1/2" connection
- WRAS 2005004

Fits: IMO, LULU, MADISON, MEM, TARA, CL.1, LISSÉ, VAIA, META, CYO

|  |                                |               |
|--|--------------------------------|---------------|
|    | Matte Black                    | 36 514 979-33 |
|    | Chrome                         | 36 514 979-00 |
|    | Brushed Platinum               | 36 514 979-06 |
|    | Platinum                       | 36 514 979-08 |
|    | Dark Chrome                    | 36 514 979-19 |
|    | Light Gold                     | 36 514 979-26 |
|    | Brushed Light Gold             | 36 514 979-27 |
|    | Brushed Durabronze (23kt Gold) | 36 514 979-28 |
|    | Brushed Bronze                 | 36 514 979-42 |
|   | Brushed Champagne (22kt Gold)  | 36 514 979-46 |
|  | Champagne (22kt Gold)          | 36 514 979-47 |
|  | Brushed Chrome                 | 36 514 979-93 |
|  | Brushed Dark Platinum          | 36 514 979-99 |

**Recommended miscellaneous**



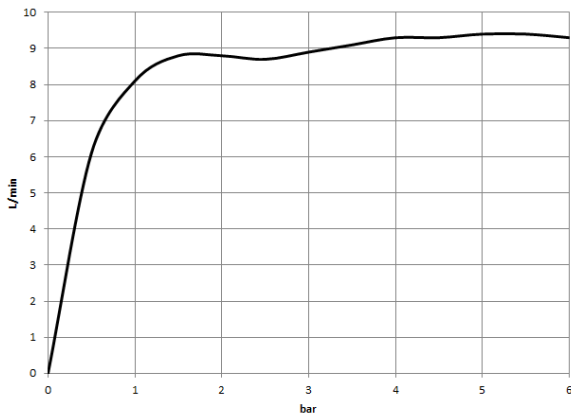
- Concealed wall elbow -** 35 085 970 90
- max. recess depth 163 mm
  - min. recess depth 90 mm

36 514 979

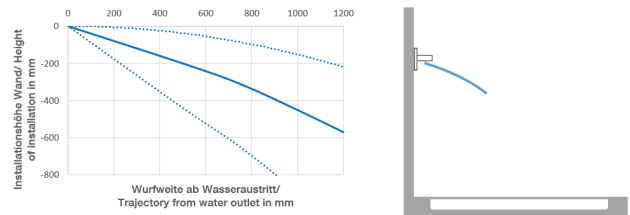
mm [inches]



**Flow rate chart**



**Trajectory diagram**



**Codes & Standards**

DIN 4109

ISO 3822

Scottish Water  
Byelaws

UK Water Supply  
Regulations

Ü-Zeichen



## WATER CURVE Concealed body spray - Matte Black

---

IMO

36 514 979

### Certificates

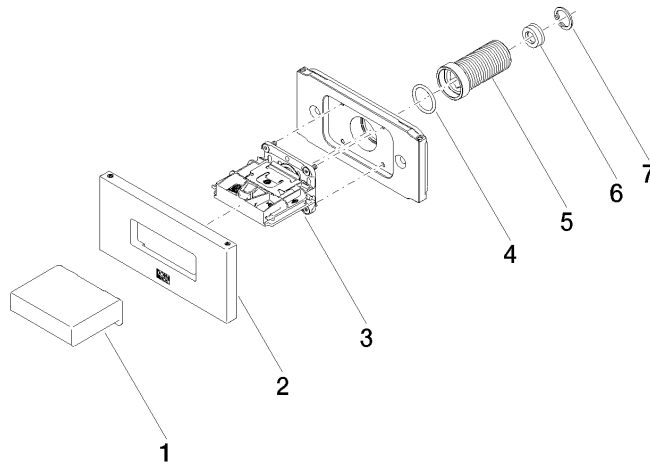
---

LGA\_29

WRAS\_2005

36 514 979

Product version from 4/1/2024





WATER CURVE Concealed body spray - Matte Black

IMO

36 514 979

**Spare parts list**

**Product version from 4/1/2024**

| No. | Item Number     | Name   | Quantity used | Delivery time |
|-----|-----------------|--------|---------------|---------------|
|     | 09 17 01 230-33 | casing | 7             | 30            |