

**MEM Wall valve clockwise closing 1/2" - Champagne (22kt Gold)**

MEM

36 607 782



- rosette 60 x 60 mm
- head part with cut-to-length spindle and sleeve
- WRAS 2011026, 2010066

	Champagne (22kt Gold)	36 607 782-47
	Chrome	36 607 782-00
	Brushed Platinum	36 607 782-06
	Platinum	36 607 782-08
	Dark Chrome	36 607 782-19
	Brushed Durabross (23kt Gold)	36 607 782-28
	Brushed Champagne (22kt Gold)	36 607 782-46
	Brushed Chrome	36 607 782-93
	Brushed Dark Platinum	36 607 782-99

**Required miscellaneous**



**Wall valve 1/2" -**

35 607 970 90

- max. recess depth 150 mm
- min. recess depth 105 mm

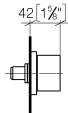
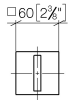


# MEM Wall valve clockwise closing 1/2" - Champagne (22kt Gold)

MEM

36 607 782

mm [inches]



## Codes & Standards

DIN 4109

EN 1111

EN 200

ISO 3822

Scottish Water  
Byelaws

UK Water Supply  
Regulations

Ü-Zeichen

## Certificates

DVGW\_DW-  
6501DN0

WRAS\_2010

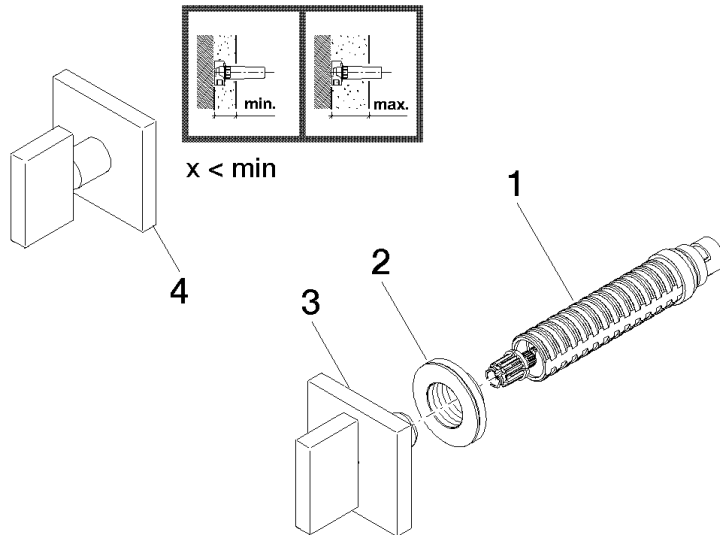
LGA\_29

DVGW\_DW-  
6512DN0

WRAS\_2011

36 607 782

Product version from 10/14/2020





36 607 782

## **Spare parts list**

**Product version from 10/14/2020**