

36 707 811



- 160mm projection
 - fixed spout
 - rectangular, air-enriched flow
 - hole diameter valve 37 mm
 - hole diameter spout 37 mm
 - handle Ø 60mm
 - max. flow 4.5 l/min
 - lead-free
 - This product can help a building meet the requirements of Green Building Rating Systems, e.g. LEED®, BREEAM®, DGNB
- NOTE: The handle inserts must be ordered separately from the fittings!**

NOTE: The handle inserts must be ordered separately from the fittings!

| | | |
|--|---|---------------|
| | Chrome | 36 707 811-00 |
| | Brushed Platinum | 36 707 811-06 |
| | Dark Chrome | 36 707 811-19 |
| | Brushed Durabronze (23kt Gold) | 36 707 811-28 |
| | Platinum / Brushed Platinum | 36 707 811-36 |
| | Durabronze / Brushed Durabronze (23kt Gold) | 36 707 811-38 |
| | Brushed Dark Platinum | 36 707 811-99 |

Required miscellaneous



- Concealed wall-mounted mixer centred spout -** 35 700 970 90
- max. recess depth 145 mm
 - min. recess depth 85 mm

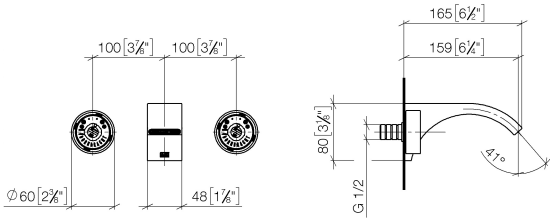
Required miscellaneous



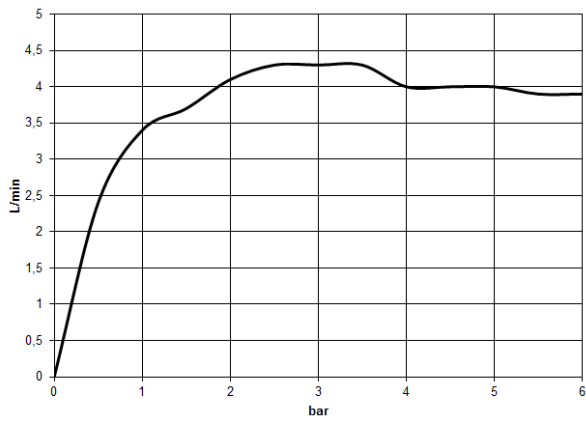
- Concealed wall-mounted mixer variable positioning -** 35 720 970 90
- min. recess depth 85 mm
 - max. recess depth 145 mm

36 707 811

mm [inches]



Flow rate chart

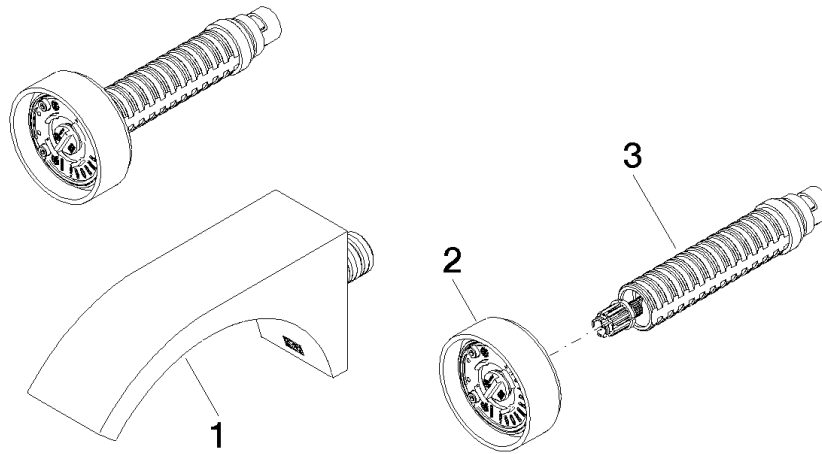


Certificates

WRAS_2111006. IAPMO_N-4976 (2). IAPMO_8834 (2). IAPMO_6397 (2). IAPMO_4976 (1).

LGA_38121.

36 707 811



Spare parts list

| No. | Item Number | Name | Quantity used | Delivery time |
|-----|--------------------|--|---------------|---------------|
| 1 | 13 800 811-00 | CYO Wall-mounted basin spout without pop-up waste - Chrome | 1 | 10 |
| 2 | 90 18 40 290 00-00 | handle | 1 | 10 |
| 3 | 90 90 03 171 01 90 | top | 1 | 2 |