

**META Wall-mounted single-lever basin mixer without pop-up waste - Brushed Bronze**

META

36 860 660



- 190mm projection
- fixed spout
- circular, air-enriched flow
- hole diameter spout 37 mm
- hole diameter single-lever mixer 57 mm
- rosette for spout Ø 55mm
- rosette for mixer Ø 78mm
- max. flow 5.7 l/min
- lead-free
- This product can help a building meet the requirements of Green Building Rating Systems, e.g. LEED®, BREEAM®, DGNB

	Brushed Bronze	36 860 660-42
	Chrome	36 860 660-00
	Brushed Platinum	36 860 660-06
	Dark Chrome	36 860 660-19
	Light Gold	36 860 660-26
	Brushed Light Gold	36 860 660-27
	Matte Black	36 860 660-33
	Brushed Champagne (22kt Gold)	36 860 660-46
	Champagne (22kt Gold)	36 860 660-47
	Brushed Chrome	36 860 660-93
	Brushed Dark Platinum	36 860 660-99

**Required miscellaneous**



**Concealed wall-mounted single-lever mixer mixer on right -** 35 816 970 90

- NOTE:Not suitable for concealed installation.Connection by means of angle valves, mounted with screws to back wall.

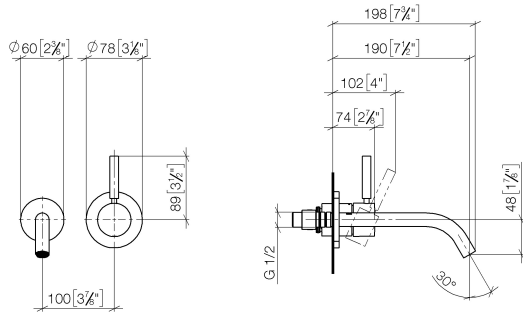
**Required miscellaneous**



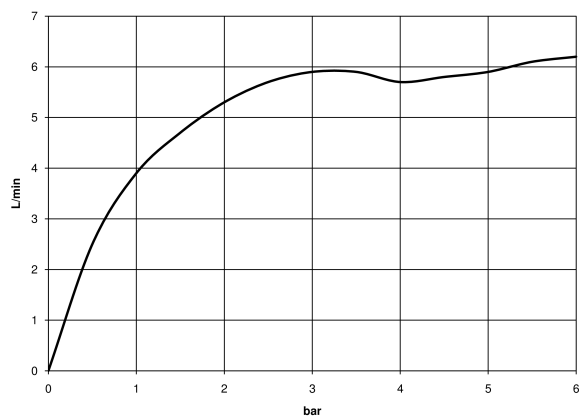
**Concealed wall-mounted single-lever mixer -** 35 860 970 90

- min. recess depth 80 mm
- max. recess depth 95 mm

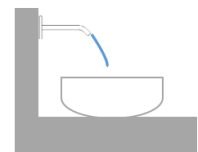
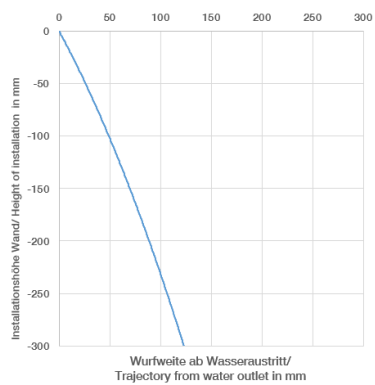
36 860 660  
mm [inches]



Flow rate chart



Trajectory diagram

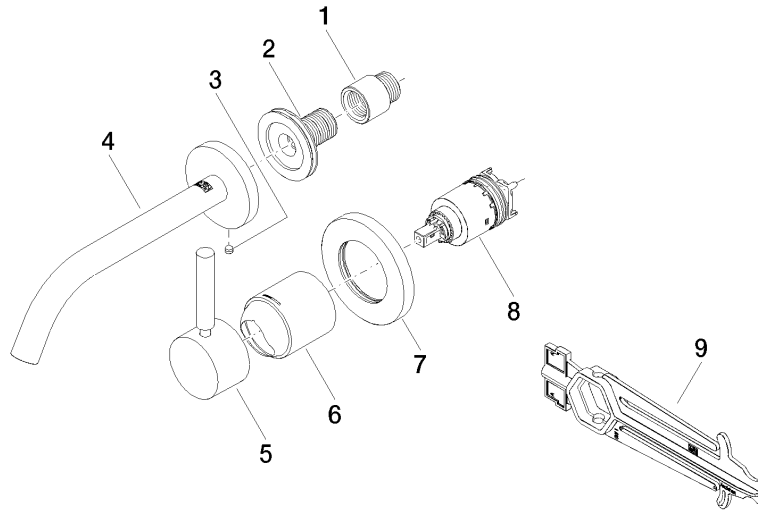


Certificates

DVGW\_DW-  
6512DN0435.

WRAS\_2107018.

36 860 660



### Spare parts list

No.	Item Number	Name	Quantity used	Delivery time
1	09 24 03 072 10 90	nipple	1	2
2	90 24 03 280 00 90	nipple	1	2
3	09 31 11 112 90	pin	1	60
4	90 28 22 323 00-42	spout	1	30
5	90 20 66 007 00-42	handle	1	30
6	09 11 02 288-42	cover	1	60
7	90 27 62 011 00-42	rosette	1	30
8	90 15 05 064 01 90	cartridge	1	2
9	90 30 09 064 00 90	key	1	2