

META META PURE Wall-mounted single-lever basin mixer without pop-up waste - Matte Black

META

36 860 664



- 190mm projection
- fixed spout
- circular, air-enriched flow
- hole diameter spout 37 mm
- hole diameter single-lever mixer 57 mm
- rosette for spout Ø 55mm
- rosette for mixer Ø 78mm
- max. flow 5.7 l/min
- lead-free
- This product can help a building meet the requirements of Green Building Rating Systems, e.g. LEED®, BREEAM®, DGNB
- WRAS 2010064

	Matte Black	36 860 664-33
	Chrome	36 860 664-00
	Brushed Platinum	36 860 664-06
	Dark Chrome	36 860 664-19
	Light Gold	36 860 664-26
	Brushed Light Gold	36 860 664-27
	Brushed Bronze	36 860 664-42
	Brushed Champagne (22kt Gold)	36 860 664-46
	Champagne (22kt Gold)	36 860 664-47
	Brushed Chrome	36 860 664-93
	Brushed Dark Platinum	36 860 664-99

Required miscellaneous



Concealed wall-mounted single-lever mixer - 35 860 970 90

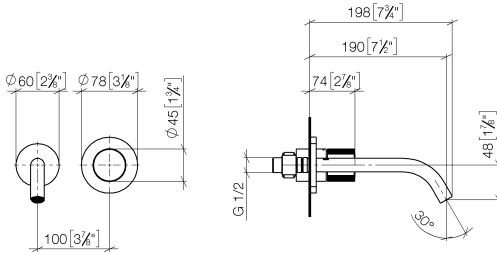
- max. recess depth 95 mm
- min. recess depth 80 mm
- mixer can be placed above, to the left or to the right of the spout.



META META PURE Wall-mounted single-lever basin mixer without pop-up waste - Matte Black

META

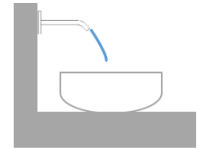
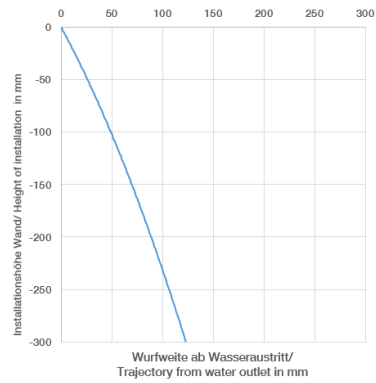
36 860 664
mm [inches]



Flow rate chart



Trajectory diagram



Codes & Standards

DIN 4109

EN 817

ISO 3822

Scottish Water
Byelaws

UK Water Supply
Regulations

Ü-Zeichen



META META PURE Wall-mounted single-lever basin mixer without pop-up waste - Matte Black

META

36 860 664

Certificates

WRAS_2010

LGA_29

DVGW_DW-
6512DN0

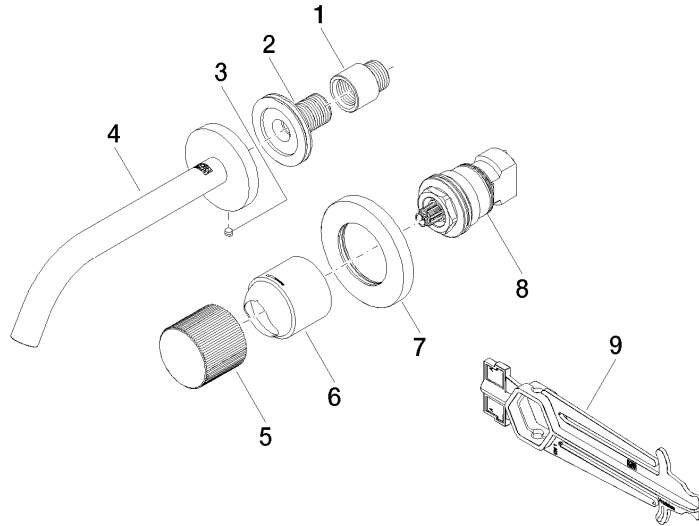


META META PURE Wall-mounted single-lever basin mixer without pop-up waste - Matte Black

META

36 860 664

Product version from 7/1/2023





META META PURE Wall-mounted single-lever basin mixer without pop-up waste - Matte Black

META

36 860 664

Spare parts list

Product version from 7/1/2023

No.	Item Number	Name	Quantity used	Delivery time
	09 24 03 072 10 90	nipple	9	2