



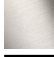





CL.1 Wall-mounted single-lever basin mixer without pop-up waste - Dark Chrome

36 860 705 Product version from 7/1/2023



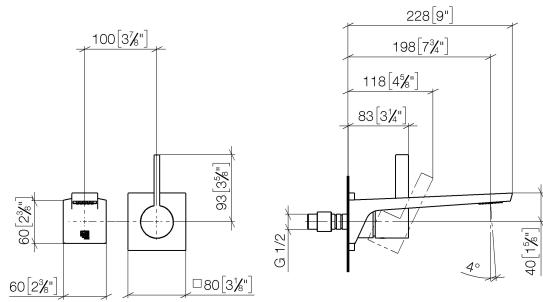
- 198mm projection
- fixed spout
- rectangular spray pattern with 40 individual jets
- hole diameter spout 37 mm
- hole diameter single-lever mixer 57 mm
- rosette 80 x 80 mm
- max. flow 4.5 l/min
- lead-free
- This product can help a building meet the requirements of Green Building Rating Systems, e.g. LEED®, BREEAM®, DGNB

	Dark Chrome	36 860 705-19
	Chrome	36 860 705-00
	Brushed Platinum	36 860 705-06
	Brushed Champagne (22kt Gold)	36 860 705-46
	Champagne (22kt Gold)	36 860 705-47
	Brushed Dark Platinum	36 860 705-99

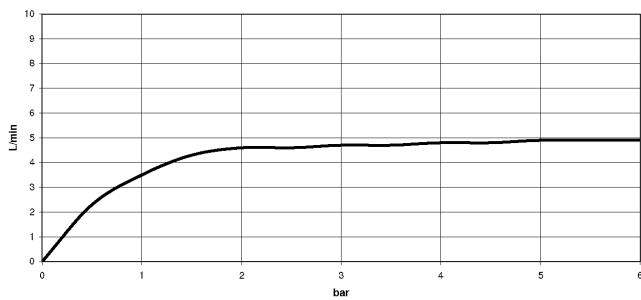


CL.1 Wall-mounted single-lever basin mixer without pop-up waste - Dark Chrome

36 860 705 Product version from 7/1/2023
mm [inches]



Flow rate chart



Codes & Standards

ASME A112.18.1

cUPC

EN 817

NSF372

NSF61



CL.1 Wall-mounted single-lever basin mixer without pop-up waste - Dark Chrome

36 860 705 Product version from 7/1/2023

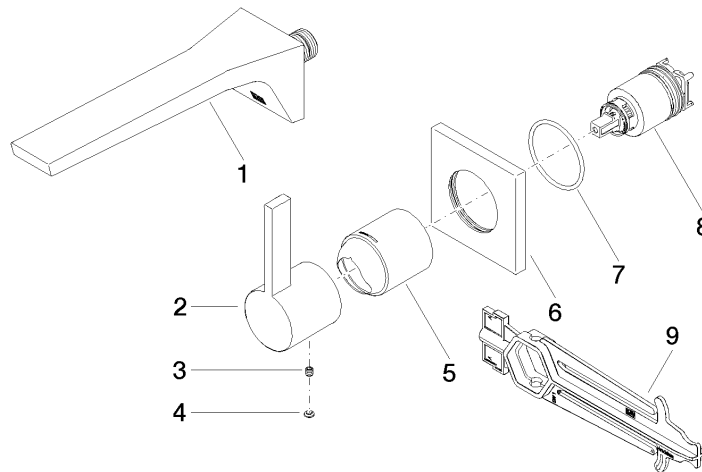
Certificates

IAPMO_N-4976	DVGW_DW-6512DN0	IAPMO_6397	IAPMO_4976 (
--------------	-----------------	------------	--------------

CL.1 Wall-mounted single-lever basin mixer without pop-up waste - Dark Chrome

36 860 705 Product version from 7/1/2023

Parts for other finishes can be found here: [Chrome](#)



Spare parts list

No.	Item Number	Name	Quantity used	Delivery time
1	13 800 705-19	CL.1 Wall-mounted basin spout without pop-up waste - Dark Chrome	1	20
2	09 20 70 050-19	handle	1	60
3	90 31 11 030 00 90	pin	1	2
4	90 31 20 087 00-19	plug	1	20
5	09 11 02 288-19	cover	1	20
6	09 27 78 039-19	rosette	1	20
7	90 14 10 049 00 90	seal	1	2
8	90 15 05 064 01 90	cartridge	1	2
9	90 30 09 064 00 90	key	1	2