





## DORNBRACHT YAMOU Wall-mounted single-lever basin mixer without pop-up waste - Soft Black

---

36 860 831



- 170mm projection
- fixed spout
- circular, air-enriched flow
- hole diameter spout 37 mm
- hole diameter single-lever mixer 57 mm
- rosette for spout Ø 60mm
- max. flow 6.8 l/min
- rosette for mixer Ø 78mm
- WRAS 240504010

	Soft Black	36 860 831-69
	Chrome	36 860 831-00

---

### Required miscellaneous

---

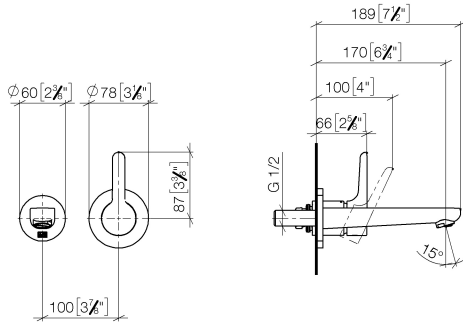


**EDITION PRO Concealed wall-mounted single-lever mixer mixer on right -** 35 870 970 90

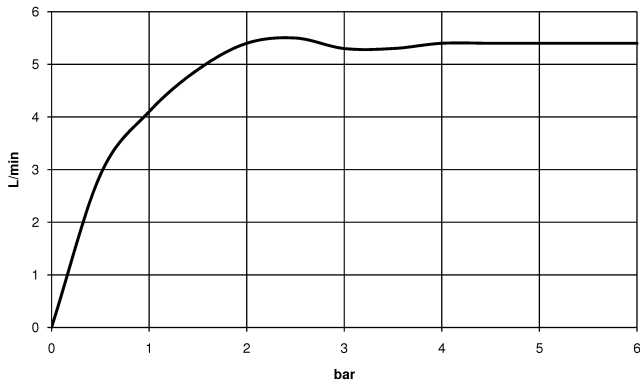


# DORNBRACHT YAMOU Wall-mounted single-lever basin mixer without pop-up waste - Soft Black

36 860 831  
mm [inches]



Flow rate chart



## Codes & Standards

DIN 4109

ISO 3822

Scottish Water  
Byelaws

UK Water Supply  
Regulations

Ü-Zeichen

XP P 41-280



## DORNBACHT YAMOU Wall-mounted single-lever basin mixer without pop-up waste - Soft Black

---

36 860 831

Certificates

---

AbP\_10

ACS\_23 ACC NY

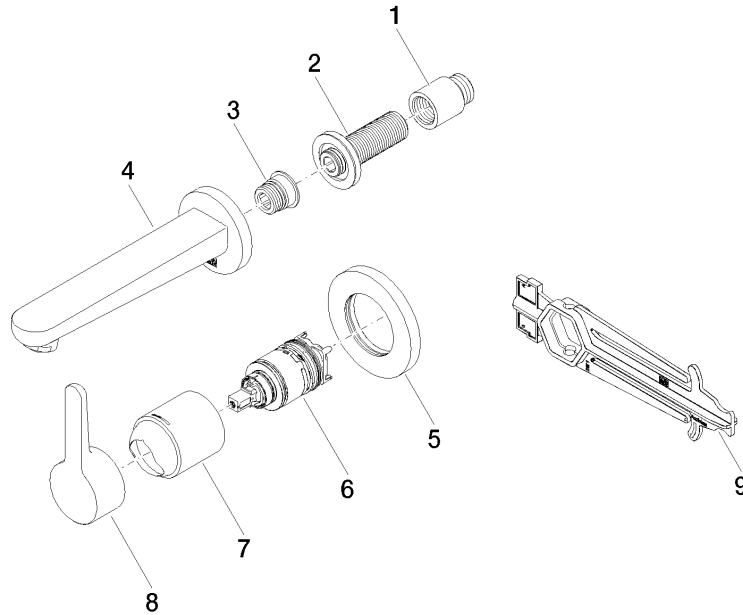
WRAS\_240504



# DORNBACHT YAMOU Wall-mounted single-lever basin mixer without pop-up waste - Soft Black

36 860 831

**Product version from 1/1/2023**





DORNBRAUCHT YAMOU Wall-mounted single-lever basin mixer without pop-up waste - Soft Black

---

36 860 831

**Spare parts list**

**Product version from 1/1/2023**

No.	Item Number	Name	Quantity used	Delivery time
	09 24 03 080 90	extension	8	2