

## MEM Wall-mounted single-lever basin mixer without pop-up waste - Chrome

36 861 782



- 207mm projection
- fixed spout
- rectangular, air-enriched flow
- hole diameter spout 37 mm
- hole diameter single-lever mixer 57 mm
- rosette for spout 80 x 60mm
- rosette for mixer 80 x 80mm
- max. flow 5.7 l/min
- lead-free
- This product can help a building meet the requirements of Green Building Rating Systems, e.g. LEED®, BREEAM®, DGNB
- WRAS

	Chrome	36 861 782-00
	Brushed Platinum	36 861 782-06
	Platinum	36 861 782-08
	Dark Chrome	36 861 782-19
	Brushed Durabrass (23kt Gold)	36 861 782-28
	Brushed Champagne (22kt Gold)	36 861 782-46
	Champagne (22kt Gold)	36 861 782-47
	Brushed Dark Platinum	36 861 782-99

### Required miscellaneous



#### Concealed wall-mounted single-lever mixer mixer on right - 35 816 970 90

- NOTE: Not suitable for concealed installation. Connection by means of angle valves, mounted with screws to back wall.

### Required miscellaneous



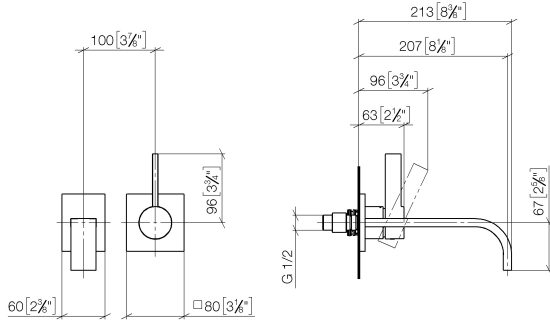
#### Concealed wall-mounted single-lever mixer - 35 860 970 90

- max. recess depth mm
- min. recess depth mm
- mixer can be placed above, to the left or to the right of the spout.

**MEM Wall-mounted single-lever basin mixer without pop-up waste - Chrome**

36 861 782

mm [inches]



**Flow rate chart**



**Codes & Standards**

DIN 4109

EN 817

ISO 3822

Scottish Water  
Byelaws

UK Water Supply  
Regulations

Ü-Zeichen



## MEM Wall-mounted single-lever basin mixer without pop-up waste - Chrome

---

36 861 782

### Certificates

---

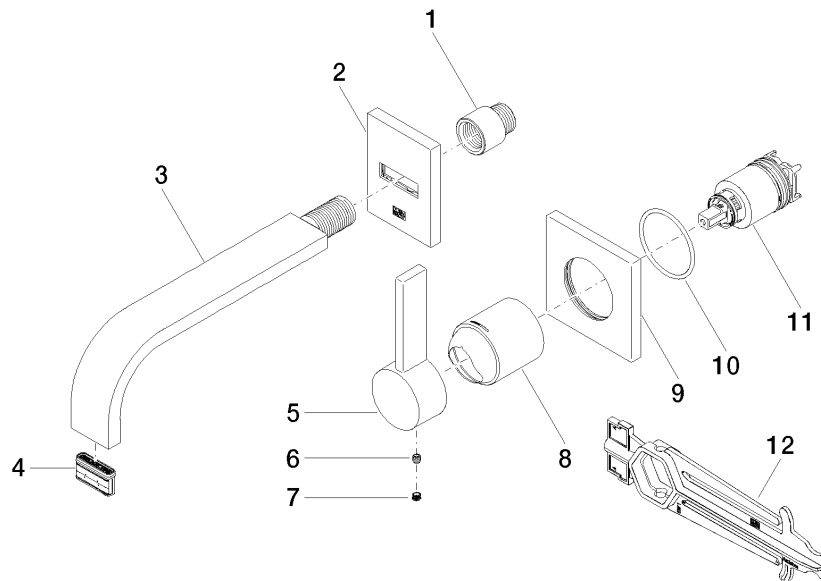
LGA\_29

DVGW\_DW-  
6512DN0

WRAS\_2107

**MEM Wall-mounted single-lever basin mixer without pop-up waste - Chrome**

36 861 782



**Spare parts list**

No.	Item Number	Name	Quantity used	Delivery time
1	09 24 03 072 10 90	nipple	1	2
2	90 27 78 038 00-00	rosette	1	10
3	04 28 22 149 10-00	spout	1	10
4	90 29 03 109 00 90	aerator	1	2
5	09 20 78 058-00	handle	1	10
6	90 31 11 030 00 90	pin	1	2
7	90 31 20 109 00 90	plug	1	2
8	09 11 02 288-00	cover	1	10
9	09 27 78 039-00	rosette	1	10
10	90 14 10 049 00 90	seal	1	2
11	90 15 05 064 01 90	cartridge	1	2
12	90 30 09 064 00 90	key	1	2