


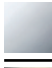





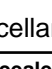
MEM Wall-mounted single-lever basin mixer with cover plate without pop-up waste - Brushed Champagne (22kt Gold)

MEM

36 863 782



- 177mm projection
- fixed spout
- rectangular, air-enriched flow
- hole diameter spout 37 mm
- hole diameter single-lever mixer 57 mm
- cover plate 80 x 180 mm
- max. flow 5.7 l/min
- lead-free
- This product can help a building meet the requirements of Green Building Rating Systems, e.g. LEED®, BREEAM®, DGNB
- WRAS 2107018

| | | |
|---|--------------------------------|---------------|
|  | Brushed Champagne (22kt Gold) | 36 863 782-46 |
|  | Chrome | 36 863 782-00 |
|  | Brushed Platinum | 36 863 782-06 |
|  | Platinum | 36 863 782-08 |
|  | Dark Chrome | 36 863 782-19 |
|  | Brushed Durabronze (23kt Gold) | 36 863 782-28 |
|  | Champagne (22kt Gold) | 36 863 782-47 |
|  | Brushed Dark Platinum | 36 863 782-99 |

Required miscellaneous



Concealed wall-mounted single-lever mixer mixer on right - 35 816 970 90
 ●NOTE:Not suitable for concealed installation.Connection by means of angle valves, mounted with screws to back wall.

Required miscellaneous

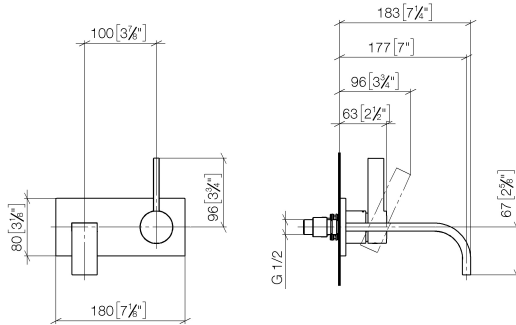


Concealed wall-mounted single-lever mixer - 35 860 970 90
 ●max. recess depth 95 mm
 ●min. recess depth 80 mm

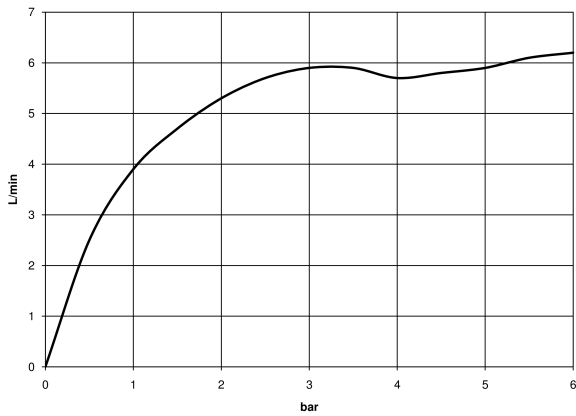
MEM Wall-mounted single-lever basin mixer with cover plate without pop-up waste - Brushed Champagne (22kt Gold)

MEM

36 863 782
mm [inches]



Flow rate chart

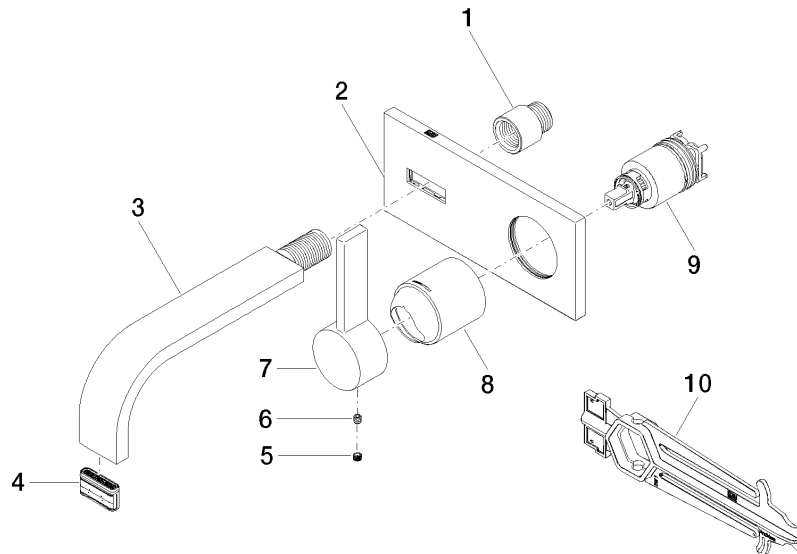


Certificates

DVGW_DW-
6512DN0435.

WRAS_2107018.

36 863 782



Spare parts list

| No. | Item Number | Name | Quantity used | Delivery time |
|-----|--------------------|-----------|---------------|---------------|
| 1 | 09 24 03 072 10 90 | nipple | 1 | 2 |
| 2 | 90 11 01 186 00-46 | plate | 1 | 30 |
| 3 | 04 28 22 150 10-46 | spout | 1 | 30 |
| 4 | 90 29 03 109 00 90 | aerator | 1 | 2 |
| 5 | 90 31 20 109 00 90 | plug | 1 | 2 |
| 6 | 90 31 11 030 00 90 | pin | 1 | 2 |
| 7 | 09 20 78 058-46 | handle | 1 | 60 |
| 8 | 09 11 02 288-46 | cover | 1 | 60 |
| 9 | 90 15 05 064 01 90 | cartridge | 1 | 2 |
| 10 | 90 30 09 064 00 90 | key | 1 | 2 |